

# 420 - SIDE FOLD BACKSTOP

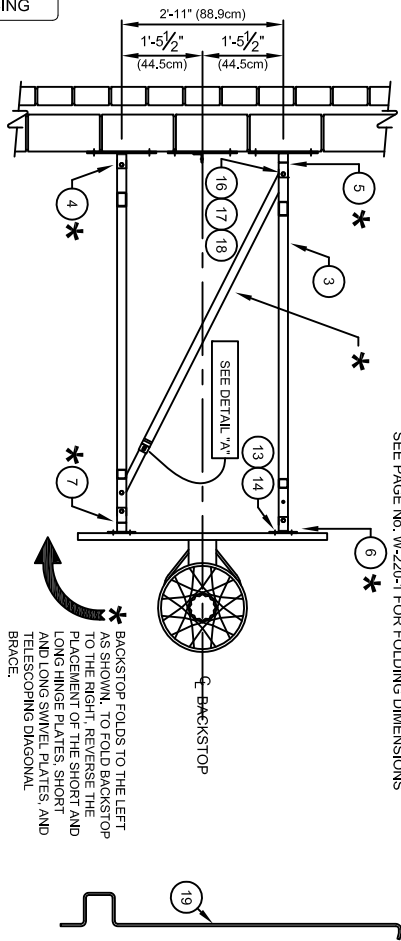
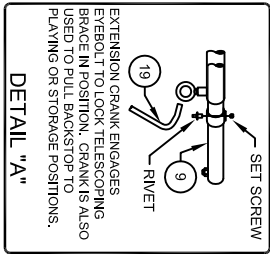
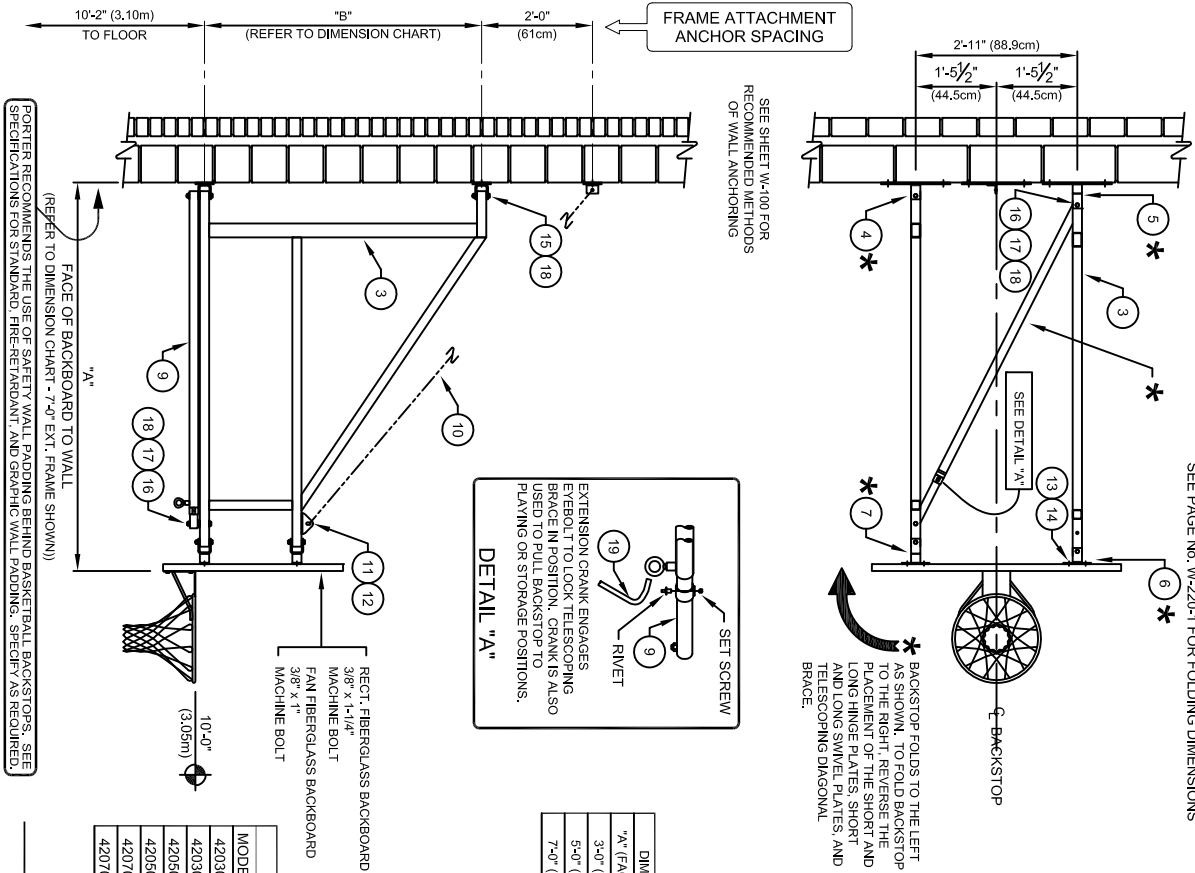
WALL-MOUNTED WELDED FRAME SIDE-FOLD BACKSTOP FOR FAN BACKBOARD  
3'-0" TO 7'-0" EXTENSION

**Porter**  
WWW.PORTERATHLETIC.COM/FACILITY

BASKETBALL SPECIFICATION SHEET

W-420-F

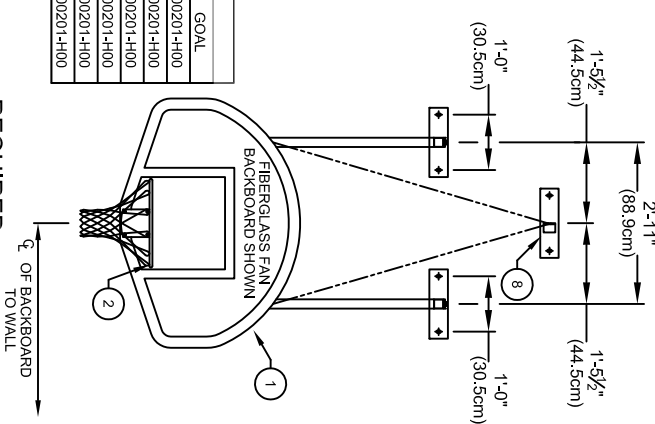
5/19/2014



MODEL No.	EXTENSION	BACKBOARD	GOAL
42030AF1	3'-0"	00267-000	00201-H00
42030AF2	3'-0"	00216-000	00201-H00
42050AF1	5'-0"	00267-000	00201-H00
42050AF2	5'-0"	00216-000	00201-H00
42070AF1	7'-0"	00267-000	00201-H00
42070AF2	7'-0"	00216-000	00201-H00

DIMENSION REFERENCE CHART	
"A" (FACE OF BANK)	"B"
3'-0" (91mm)	3'-0" (91mm)
5'-0" (1.53m)	4'-0" (1.22m)
7'-0" (2.13m)	5'-0" (1.52m)

No.	QTY.	DESCRIPTION
1	1	FAN BACKBOARD - GOAL WITH NET AND HARDWARE
2	1	FRAME 4200 .01 No. 420 SIDE FRAME WELDMENT
4	2	FRAME 4200 .01 WALL PLATE HINGE - SHORT
5	2	FRAME 4200 .02 WALL PLATE HINGE - LONG
6	2	FRAME 4200 .03 HINGE PLATE - SHORT
7	2	FRAME 4200 .04 HINGE PLATE - LONG
8	1	FRICE 4200 .05 CABLE ANCHOR PLATE
9	1	BRICE 4200 .06 TELESCOPING BRACE KIT ASSEMBLY
10	1	ROPE 00039 .060 1/4" GALVANIZED CABLE x LG.
11	4	ROPE 00037 .000 1/4" CABLE CLAMP
12	2	ROPE 00006 .060 1/4" THIMBLE
13	8	HDVE 04002 .060 3/8" x - GRADE 5
14	8	HDVE 04002 .060 3/8" LOCKWASHER
15	7	HDVE 01149 .060 1/2" x 3 1/2" LG. CAP SCREW - GRADE 5
16	2	HDVE 01181 .060 1/2" x 5 1/2" LG. CAP SCREW - GRADE 5
17	2	HDVE 05005 .060 1/2" FLATWASHER (USS)
18	9	HDVE 05073 .060 1/2"-13 CONNEX LOCKNUT
19	1	XCRK 93705 502 BRACE CRANK



EXAMPLE: No. 42030AF1 - INCLUDES 00267-000 FAN FIBERGLASS BACKBOARD, 00201-H00 GOAL @ 5'-0" FACE OF BANK TO WALL EXTENSION  
**No. 420** REQUIRED (REFER TO MODEL No. REFERENCE CHART)

PROJECT NUMBER

PROJECT NAME

# 420 - SIDE FOLD BACKSTOP

WALL-MOUNTED WELDED FRAME SIDE-FOLD BACKSTOP FOR FAN BACKBOARD  
3'-0" TO 7'-0" EXTENSION

## SPECIFICATIONS

### PORTER No. 00420- WALL-MOUNTED SIDE-FOLD BACKSTOP FOR FAN BACKBOARD AND RECTANGULAR FIBERGLASS BACKBOARD

Backstop shall be wall-mounted side-fold type with face of backboard extended 3'-0" to 7'-0" from supporting wall. Specify extensions -3'-0", 5'-0", and 7'-0".

Extension frames shall be rigid fully welded unitized sections fabricated of 2" x 2" heavy wall square tubing. For ease of installation, frame sections are precisely fabricated to extend perpendicular from wall at the desired face of bank extension. Ends of welded extension frame assemblies shall be pre-drilled and bolted to hinge plate assemblies (short and long) for attachment to the backside of the backboard and to the wall. The hinge plate assemblies shall be offset-type, to allow backstop to be folded to a position nearly flat against the wall. The direction of fold is determined at the time of installation by placement of the hinge plate assemblies.

One (1) continuous 1/4" galvanized cable section shall extend from the welded unitized extension frames to a cable anchor plate positioned on the wall at the centerline of the backstop for supplemental support. The cable shall extend diagonally from the unitized frames, terminating in clamp-type fittings.

Backstop shall be locked into the playing and storage positions by means of a 1-7/8" O.D. telescoping tube assembly, running diagonally across the lower extension tubes. An extension crank shall be provided to operate telescoping brace from the floor. Crank engages eyebolt on telescoping brace to lock it in position. Crank is also used to pull backstop to playing or storage positions.

All metal parts shall be painted one (1) coat of flat black enamel. (If special painting of colors is required, specify final painting by painting contractor.)

Specify backboard and goal as required.