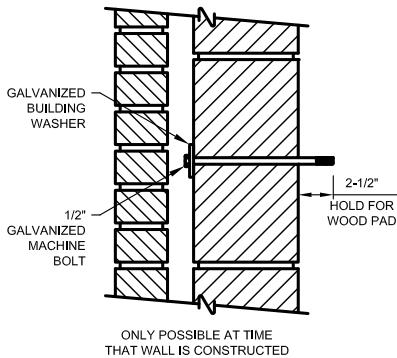


ANCHORING DETAILS

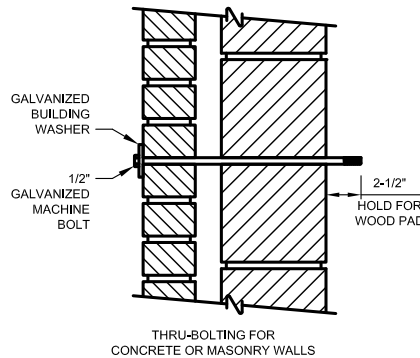
FOR WALL-MOUNTED BACKSTOPS METHODS OF ANCHORING

WARNING  IT IS MANDATORY TO THRU-BOLT A MINIMUM OF TWO LOCATIONS AT THE CHAIN SUPPORT WOOD PAD(S), AND THE TOP TWO WALL LOCATIONS AT THE BACKSTOP EXTENSION PIPE SUPPORT WOOD PAD(S).

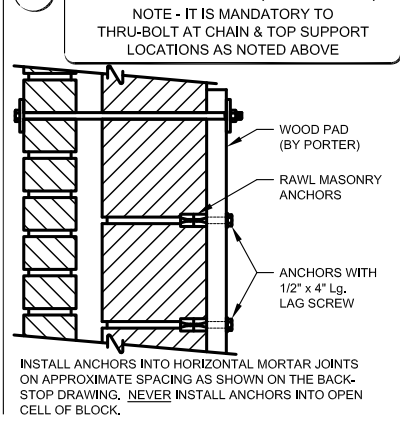
A DURING CONSTRUCTION



B EXISTING WALL (THRU-BOLT)



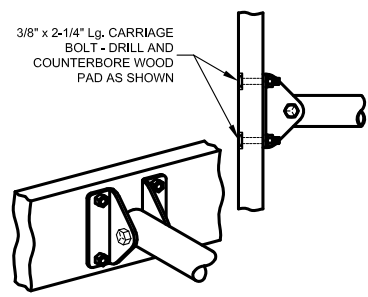
C EXISTING WALL (ANCHORS)



NOTE - ALL HARDWARE FOR ATTACHING WOOD PADS TO WALL ARE BY OTHERS. VERIFY MATERIAL AND THICKNESS OF WALL, AND USE APPROPRIATE HARDWARE/ANCHOR COMBINATION (MINIMUM 1/2" DIA. HARDWARE).

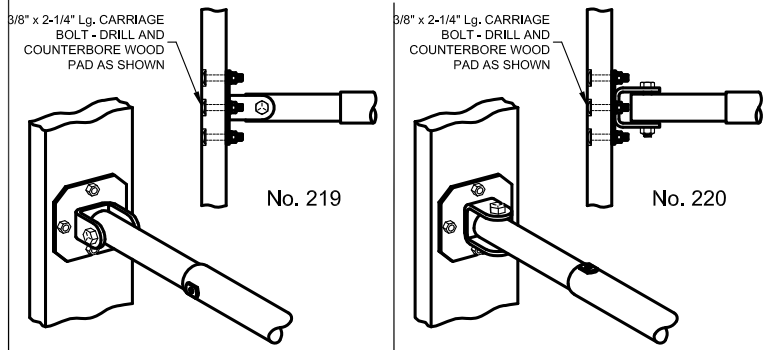
EXTENSION PIPE ANCHOR

FOR STATIONARY BACKSTOPS - 312's



EXTENSION PIPE HINGE ANCHOR

FOR FOLDING BACKSTOPS - 219's AND 220's



POINTS TO REMEMBER

1. THIS IS A PERMANENT STRUCTURE.
2. BACKSTOP MUST BE ANCHORED TO A VERTICAL WALL CAPABLE OF SUPPORT OF THE BACKBOARD AT THE EXTENSION REQUIRED.
3. THRU-BOLTING OF AT LEAST THE TOP TWO WALL LOCATIONS (SEE DETAIL A OR B ABOVE) IS MANDATORY ON ALL INSTALLATIONS.
4. ON NON-FOLDING BACKSTOPS (312's), THE DIAGONAL SUPPORT CHAINS MAY BE SECURED TO THE ROOF FRAMING IF NECESSARY TO REDUCE WALL LOADING. (CONTACT THE FACTORY FOR ADDITIONAL HARDWARE REQUIREMENTS).
5. ON STATIONARY BACKSTOPS (312's), OFFSETS CAN BE COMPENSATED FOR BY LENGTH OF EXTENSION PIPES (SPECIFY).
6. ON FOLDING BACKSTOPS (219's AND 220's), ATTACHMENTS AT WALL MUST BE IN ALIGNMENT (NO OFFSETS OR PROJECTIONS). IF OFFSETS EXIST, BLOCKING AND/OR ADDITIONAL STRUCTURAL SUPPORT MUST BE SUPPLIED (BY OTHERS) TO COMPENSATE FOR THE OFFSET.

WALL DESCRIPTION

BLOCK _____

BRICK _____

OTHER _____

TOTAL THICKNESS _____

FOR (VERTICAL) STUD WALLS, SUBSTITUTE HORIZONTAL PADS FOR VERTICAL PADS. RECOMMEND SOLID BLOCKING AT ALL ANCHOR POINTS, WITH BLOCKING DESIGNED BY THE ARCHITECT/STRUCTURAL ENGINEER.

SEE OPPOSITE SIDE OF THIS SHEET FOR TOTAL WEIGHTS OF WALL-MOUNTED BACKSTOPS

ANCHORING DETAILS

TOTAL WEIGHTS FOR WALL-MOUNTED BACKSTOPS

NOTE - ALL WEIGHTS ARE IN POUNDS

* BACKBOARD MODEL No.	WEIGHT OF A No. 312 STATIONARY BACKSTOP (WITHOUT HEIGHT ADJUSTER) AT:				
	2' Ext.	5' Ext.	7' Ext.	10' Ext.	12' Ext.
00204-000	296	326	341	363	424
00206-000	316	346	361	383	444
00211-000	176	206	221	243	304
00224-300	280	310	325	347	408
00226-000	148	178	193	215	276
00228-300	248	278	293	315	376
00231-000	174	206	223	247	296
00232-300	306	336	351	373	434
00234-__	126	158	175	199	248
00238-300	284	314	329	351	412
00267-698	111	143	160	184	233

* BACKBOARD MODEL No.	WEIGHT OF A No. 312 STATIONARY BACKSTOP (WITH HEIGHT ADJUSTER) AT:				
	2' Ext.	5' Ext.	7' Ext.	10' Ext.	12' Ext.
00208-000	387	440	455	481	531
00206-000	407	460	475	501	551
00211-000	267	320	335	361	411
00224-300	371	424	439	465	515
00226-000	239	292	307	333	383
00228-300	339	392	407	433	483
00231-000	N/A	N/A	N/A	N/A	N/A
00232-300	397	450	465	491	541
00234-__	214	267	282	308	358
00238-300	375	428	443	469	519
00267-698	199	252	267	293	343

* BACKBOARD MODEL No.	WEIGHT OF A No. 219 FOLD-UP BACKSTOP (WITHOUT HEIGHT ADJUSTER) AT:			
	4' Ext.	7' Ext.	10' Ext.	12' Ext.
00204-000	392	413	437	500
00206-000	412	433	457	520
00211-000	253	274	298	380
00224-300	376	397	421	484
00226-000	225	246	270	352
00228-300	325	346	370	452
00231-000	266	289	315	362
00232-300	402	423	447	510
00234-__	208	231	257	314
00238-300	361	382	406	488
00267-000	193	216	242	299

* BACKBOARD MODEL No.	WEIGHT OF A No. 219 FOLD-UP BACKSTOP (WITH HEIGHT ADJUSTER) AT:			
	4' Ext.	7' Ext.	10' Ext.	12' Ext.
00208-000	507	530	557	602
00206-000	527	550	577	622
00211-000	387	410	437	482
00224-300	491	514	541	586
00226-000	359	382	409	454
00228-300	459	482	509	554
00231-000	N/A	N/A	N/A	N/A
00232-300	517	540	567	612
00234-__	334	357	384	429
00238-300	495	518	545	590
00267-698	319	342	369	414

* BACKBOARD MODEL No.	WEIGHT OF A No. 220 FOLD-UP BACKSTOP (WITHOUT HEIGHT ADJUSTER) AT:			
	4' Ext.	7' Ext.	10' Ext.	12' Ext.
00204-000	333	355	383	427
00206-000	353	375	403	449
00211-000	213	235	263	309
00224-300	317	339	367	411
00226-000	185	207	235	279
00228-300	285	307	335	379
00231-000	210	233	261	301
00232-300	343	365	393	439
00234-__	162	185	213	253
00238-300	321	343	371	417
00267-000	147	170	198	238

* BACKBOARD MODEL No.	WEIGHT OF A No. 220 FOLD-UP BACKSTOP (WITH HEIGHT ADJUSTER) AT:			
	4' Ext.	7' Ext.	10' Ext.	12' Ext.
00208-000	470	492	519	568
00206-000	490	512	539	588
00211-000	350	372	399	448
00224-300	454	476	503	552
00226-000	322	344	371	420
00228-300	422	444	471	520
00231-000	N/A	N/A	N/A	N/A
00232-300	480	502	529	578
00234-__	297	319	346	395
00238-300	458	480	507	556
00267-698	282	304	331	380

* REFER TO THE PORTER ARCHITECT'S MANUAL FOR COMPLETE BACKBOARD SPECIFICATIONS.