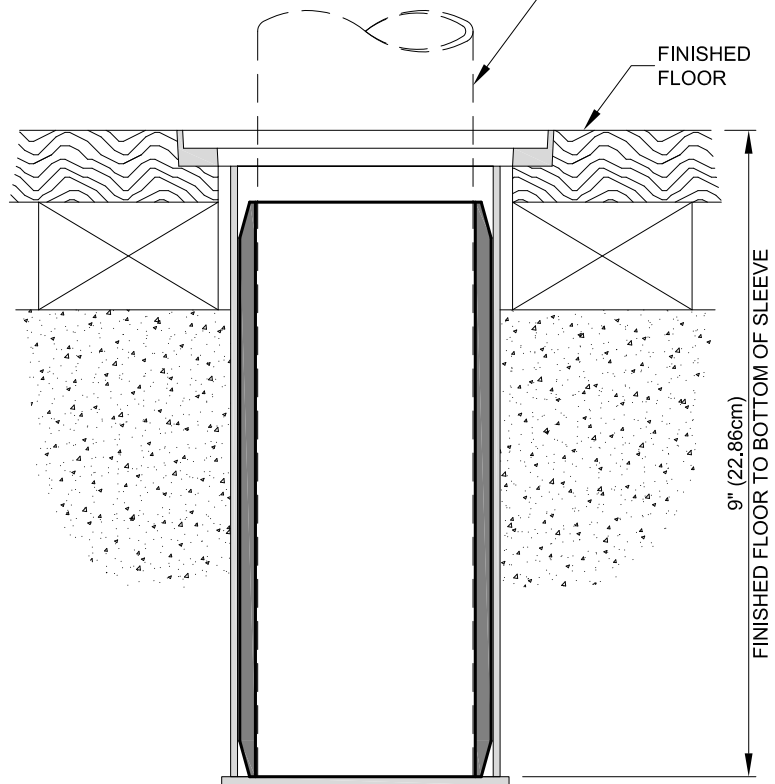
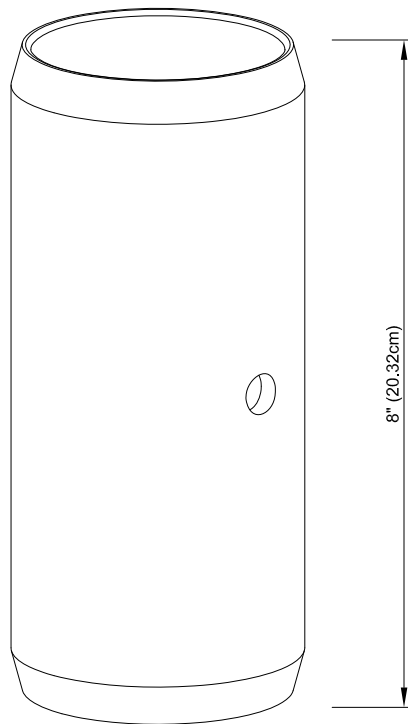
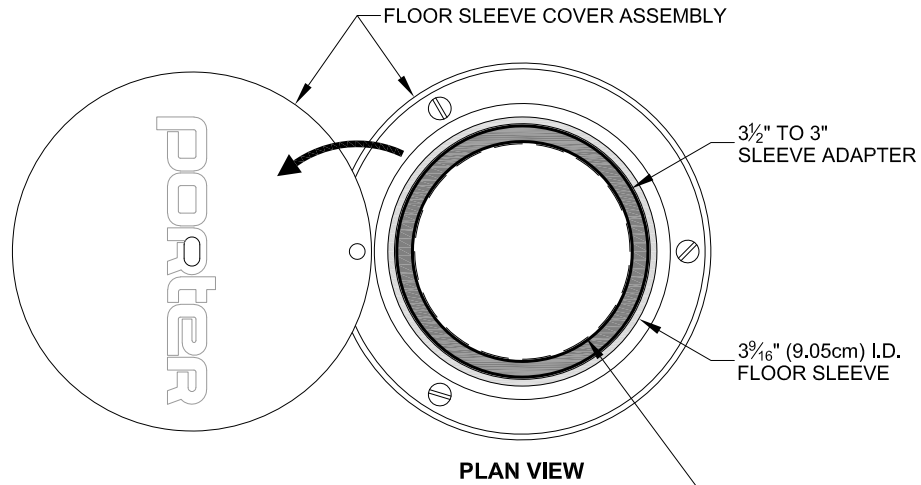
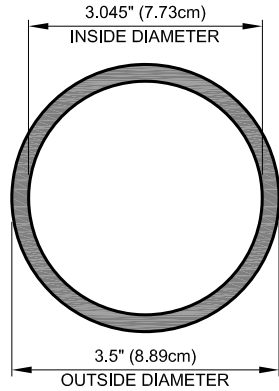


00827300 - 3 1/2" TO 3" ADAPTER

FLOOR SLEEVE ADAPTER



SECTION SHOWING SLEEVE ADAPTER IN PLACE IN STANDARD 3 1/2" INSIDE DIAMETER FLOOR SLEEVE

FOR FLOOR SLEEVE DETAILS, SEE SPECIFICATION SHEET SPECIFIC TO THAT FLOOR SLEEVE.

porter
WWW.PORTERATHLETIC.COM/FACILITY

VOLLEYBALL SPECIFICATION SHEET

V-827-300

— 00827-300 FLOOR SLEEVE ADAPTER FOR 3" DIA. UPRIGHT IN 3 1/2" DIA. SLEEVE

porter[®]

888-277-7778 PORTER@PORTERATHLETIC.COM
© COPYRIGHT 2019 PORTER ATHLETIC - ALL RIGHTS RESERVED

PROJECT NUMBER _____

PROJECT NAME _____

10/1/2019

00827300 - 3 1/2" TO 3" ADAPTER

FLOOR SLEEVE ADAPTER

SPECIFICATIONS

PORTER No. 00827-300 FLOOR SLEEVE ADAPTER (ADAPTS EXISTING 3-1/2" (8.89cm) INSIDE DIAMETER FLOOR SLEEVE FOR USE WITH 3" (76.2cm) DIAMETER STANDARD) (EACH)

Adapter is designed for use in 3-1/2" (8.89cm) inside diameter sleeves (No. 00870-100, 00870-200, 00872-100, or 00872-200) for use with 3" (76.2cm) outside diameter standards when desired.

Sleeve adapter shall consist of special machined 3.5" (8.89cm) O.D. x 3.045" (7.73cm) I.D. tube x 8" (20.32cm) in length. Adapter may be easily removed if desired to use the same floor sleeve with any 3-1/2" (8.89cm) outside diameter standard.

Adapter shall be finished in a durable, navy blue powder coat.

Porter
WWW.PORTERATHLETIC.COM/FACILITY

VOLLEYBALL SPECIFICATION SHEET

V-827-300