

## ASSEMBLY, MAINTENANCE & USAGE MANUAL

### No. 950 BOLT-TOGETHER CAMBER MAST

No. XFRM950L \_ \_

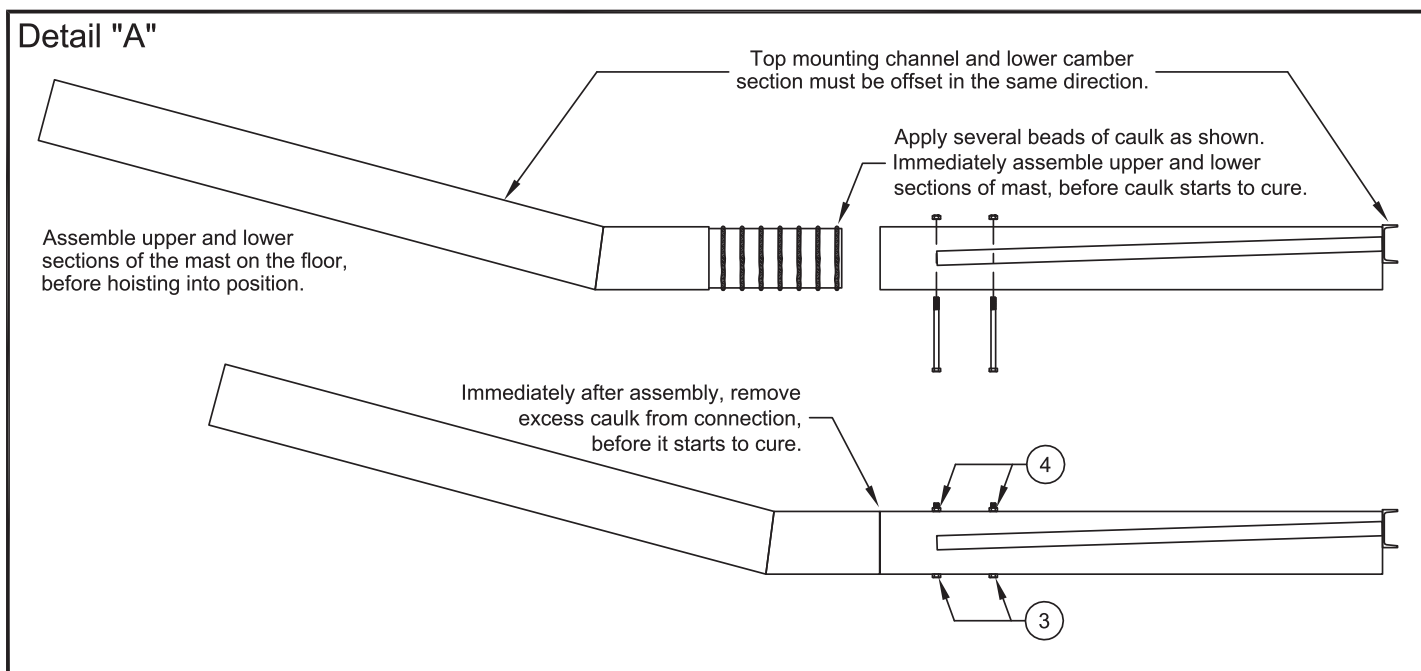
#### WARNING

Read all instructions before proceeding with this installation.

TOOLS REQUIRED:   Caulk Gun  
                          3/4" Wrenches

PARTS LIST			
Item No.	Part No.	Qty.	Description
1	~	1	Lower Section for No. 950 Camber Mast
2	MISC00265002	1	Caulk
3	HDWE012820E0	2	1/2" x 7-1/2" Lg. Hex Head Cap Screw (Grade 5)
4	HDWE030730E0	2	1/2" Convex Lock Nut

1. Assemble upper and lower mast sections on the floor, as shown in Detail "A".



2. Make sure all hardware is fully tightened.
3. Clean off any caulk residue from mast sections with solvent or turpentine.
4. Assembled mast can now be hoisted into position.


**porter®**

Porter Athletic, Inc.

2500 South 25<sup>th</sup> Avenue, Broadview, IL U.S.A., 60155

Toll Free: (888) 277-7778 • Phone: (708) 338-2000 • Fax: (708) 338-2060

[www.porterathletic.com](http://www.porterathletic.com)

 **WARNING:** This product can expose you to Titanium Dioxide, which is known to the State of California to cause cancer. For more information go to [www.p65warnings.ca.gov](http://www.p65warnings.ca.gov).