

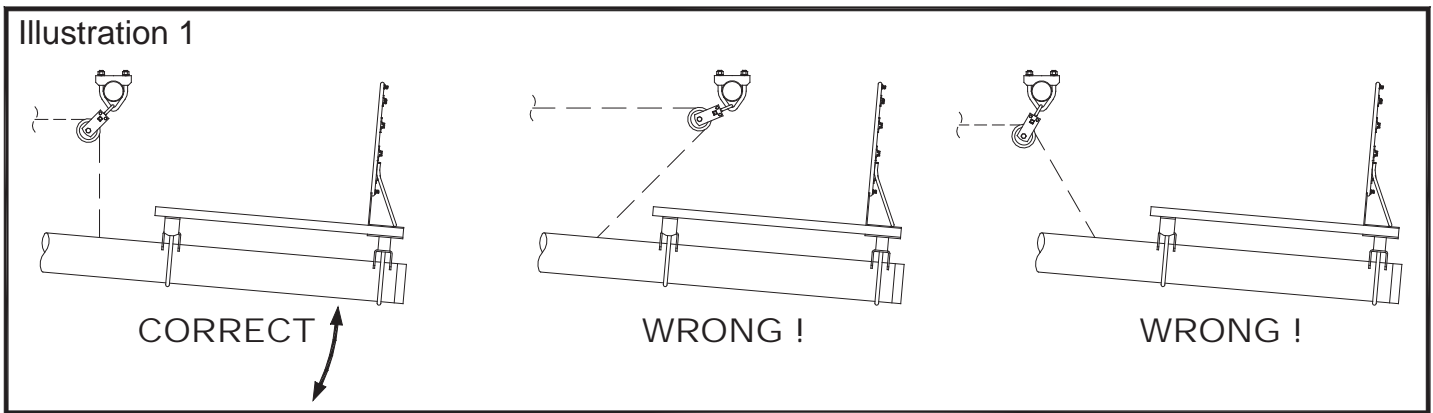
INSTALLATION INSTRUCTIONS

ELECTRIC WINCHES

No. 00706-000 and 00707-000

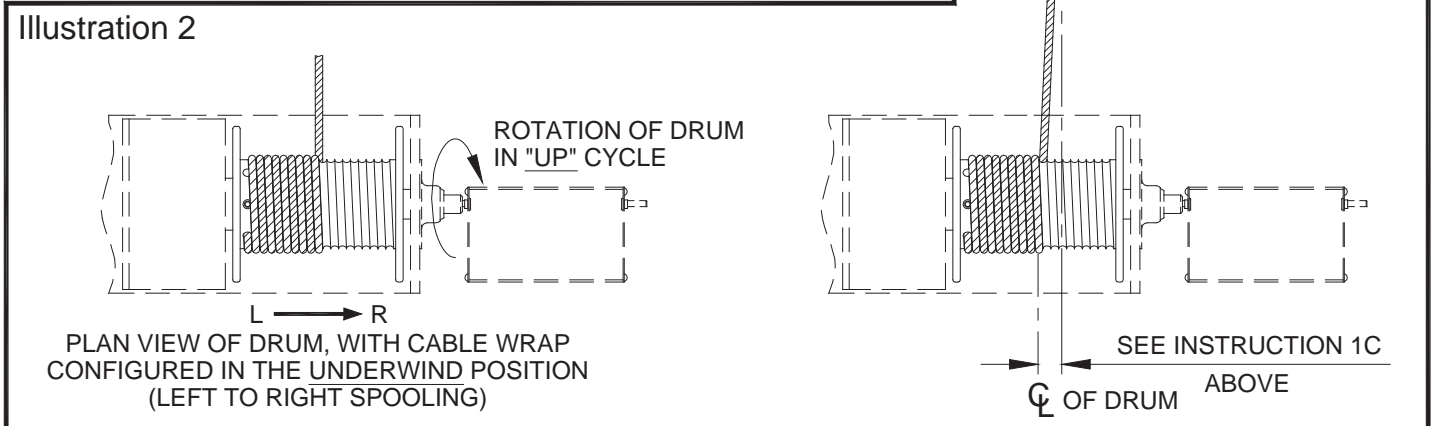
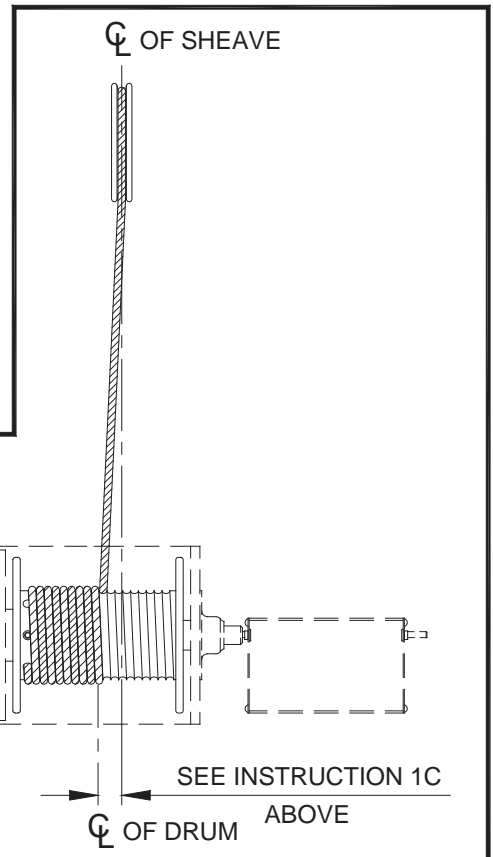
1. WINCH/PULLEY LOCATION. Placements of the winch and hoist pulley are critical to ensure the proper and safe folding operation of the backstop. Refer to the backstop installation drawing(s) provided with this project for all dimensional data parameters.

A. When the unit is in the "UP" (stored) position, the cable tie-off at the mast must be directly below the pulley sheave. Failure to do so will place additional lateral loads on the superstructure. See Illustration 1.

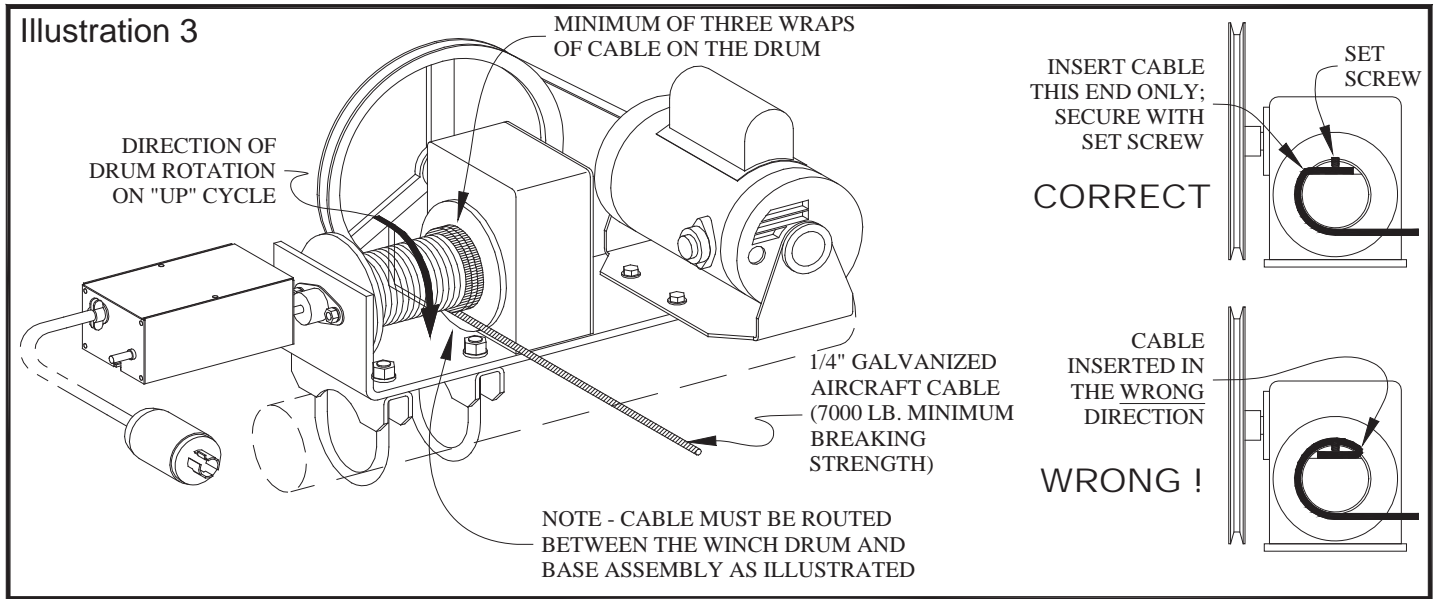


B. The pulley is to be located on the exact centerline of the backstop mast as indicated on the backstop installation drawings. Refer to Pages 26 and 27 in the Basketball Backstop Installation Manual for complete cable tie-off details.

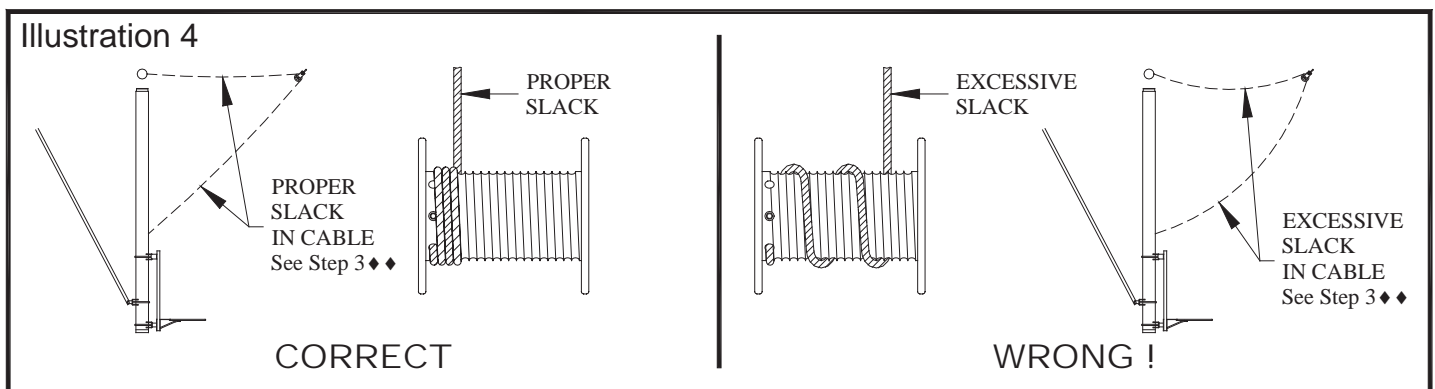
C. To avoid excessive wear on the pulley sheave, and chafing of the cable against previous wraps on the drum, the sheave is ideally located on the centerline of the drum. HOWEVER, if the cable does not wind evenly on the drum, the winch may be offset slightly from the sheave centerline to obtain an even wrap on the drum. See Illustration 2.



- SECURING CABLE TO THE WINCH DRUM.** Route plain end of cable through hole in the winch drum and secure with set screw. Note that cable must be taped before cutting to prevent the cable end from fraying. Be sure to route cable in the UNDERWIND direction as detailed in Illustration 3. **THERE MUST BE A MINIMUM OF THREE (3) WRAPS OF CABLE ON THE DRUM WITH THE BACKSTOP IN THE "DOWN" POSITION.**



- LIMIT SWITCH SETTINGS.** Refer to the limit switch adjustment instructions located with the winch, inside the limit switch box. It is critical that both the upper and lower limits be set carefully. The upper limit will prevent the unit from contacting the overhead structure. The lower limit is as critical, and must be set to prevent excessive slack in the cable. By allowing too much slack, the cable can "uncoil" around the drum, thereby rewinding with uneven wraps and "exceeding" the upper limit by having additional wraps on the drum. See Illustration 4.
 - ◆◆ A *SLIGHT* amount of slack in the hoist cable is mandatory when the backstop is in the down position. However, an excessive amount of slack will allow the cable to wrap incorrectly on the drum. To properly set cable slack, allow a two-second delay (count 1001, 1002) after the backstop fully seats in the playing position, before the down limit switch shuts the down cycle off. See Illustration 4.



- The use of Porter winches on products other than basketball backstops and divider curtains is EXPRESSLY PROHIBITED.
- Substitution of the Porter key switch will void all warranties, and will render the operation of the backstops/curtains unsafe.
- The key switch must be mounted on the wall in a location so that the equipment it is controlling is in full view of the operator.

WARNING: This product can expose you to Titanium Dioxide, which is known to the State of California to cause cancer. For more information go to www.p65warnings.ca.gov.

porter

Porter Athletic Equipment Company

2500 South 25th Avenue, Broadview, IL U.S.A., 60155

Toll Free: (800) 947-6783 • Phone: (708) 338-2000 • Fax: (708) 338-2060

www.porter-ath.com

SAVE THESE INSTRUCTIONS FOR FUTURE USE