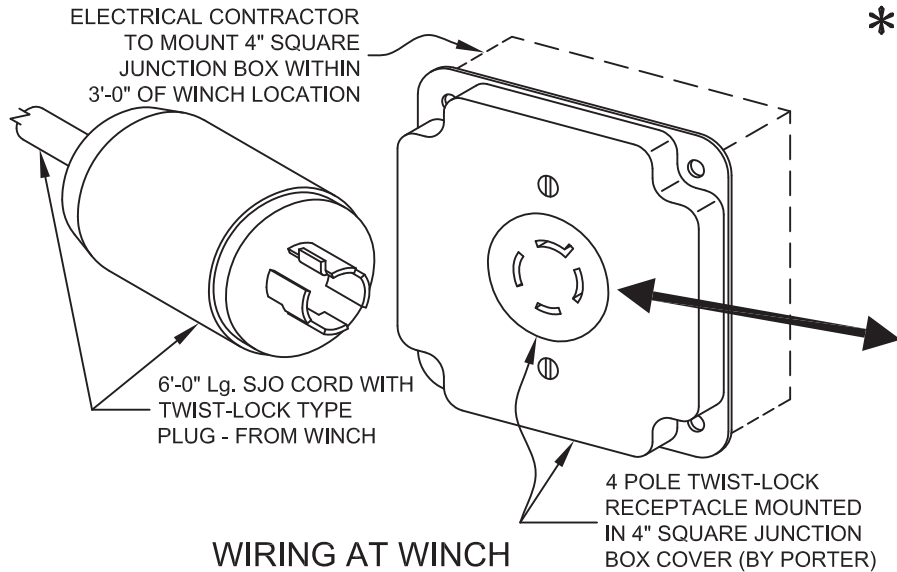
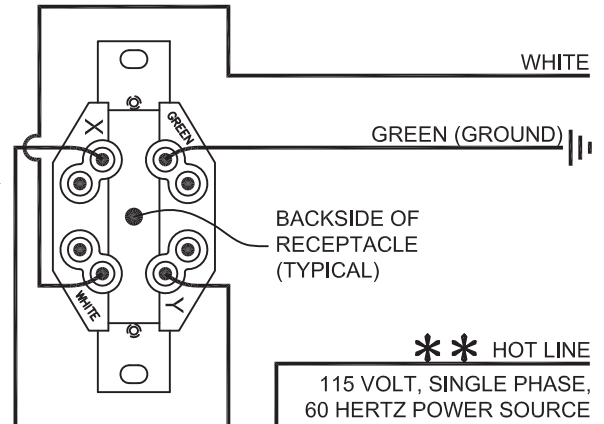


ELECTRIC WINCH FIELD WIRING DETAILS & REQUIREMENTS



** The minimum wire size is dependent on the motor voltage, motor full-load amperage rating, and the **TOTAL** distance from the circuit breaker panel to the winch receptacle. Consult **VOLTAGE DROP CALCULATION TABLES** to determine the minimum wire size.

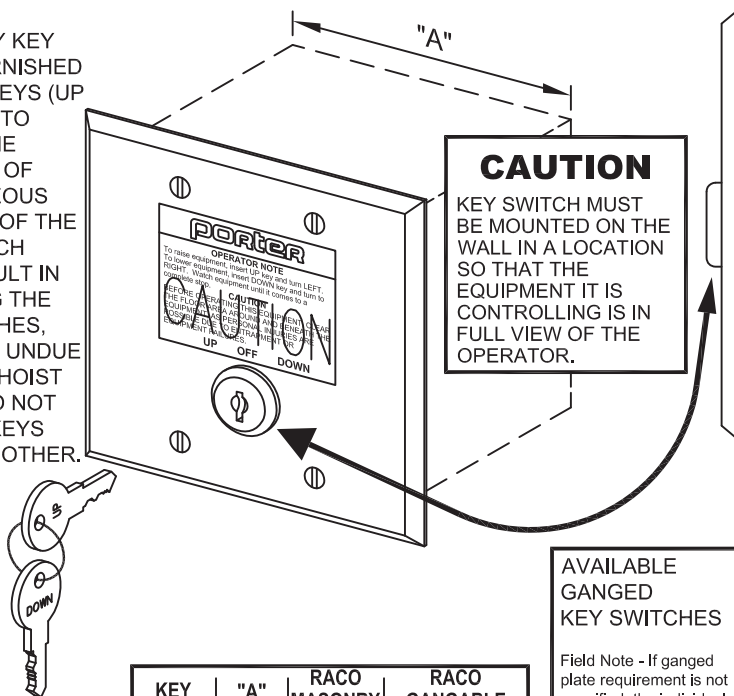


** HOT LINE
115 VOLT, SINGLE PHASE, 60 HERTZ POWER SOURCE PROTECTED BY A 20 AMP CIRCUIT BREAKER

WIRING AT WALL MOUNTED KEY SWITCH

INDIVIDUAL KEY SWITCH MOUNTED IN A STANDARD 4½" SQUARE FLUSH-MOUNTED STAINLESS STEEL COVER PLATE FOR MOUNTING IN A 4" SQUARE x 3½" DEEP MASONRY BOX (RACO No. 696 OR EQUAL) BY ELECTRICAL CONTRACTOR. *

MOMENTARY KEY SWITCH FURNISHED WITH TWO KEYS (UP AND DOWN) TO PREVENT THE POSSIBILITY OF INSTANTANEOUS REVERSING OF THE WINCH, WHICH COULD RESULT IN OVERRIDING THE LIMIT SWITCHES, OR PLACING UNDUE STRESS ON HOIST SYSTEM. DO NOT SEPARATE KEYS FROM EACH OTHER.



ELECTRICIAN NOTE: IF EQUIPMENT OPERATION DOES NOT CORRESPOND TO UP AND DOWN LABEL ON KEY SWITCH, REVERSE BLACK AND RED WIRES.

ADDITIONAL SET OF TERMINALS PROVIDED FOR OPERATING TWO WINCHES WITH ONE KEY SWITCH. **IMPORTANT NOTE** - ADDITIONAL CONTROL WIRES MUST RUN FROM THESE TERMINALS DIRECTLY TO THE SECOND WINCH LOCATION TO ELIMINATE POWER FEEDBACK AND LIMIT SWITCH MALFUNCTIONS. SEE WIRING DIAGRAMS ON REVERSE SIDE OF THIS PAGE.

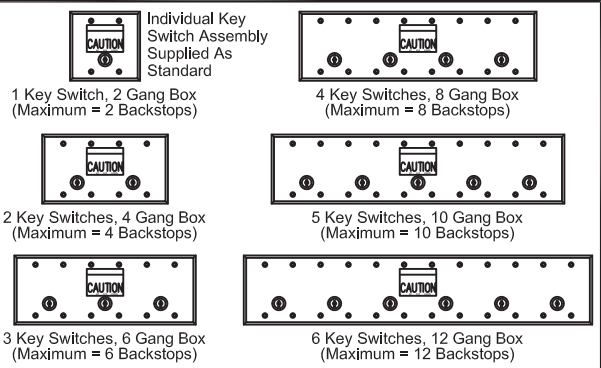
* GANGED KEY SWITCH ASSEMBLIES ARE AVAILABLE - SPECIFY QUANTITIES (SEE TABLE AT RIGHT FOR WALL BOX SIZE REQUIREMENTS - DIMENSION "A").

KEY SWITCH QTY.	"A" BOX WIDTH	RACO MASONRY BOX No. (Or Equal)	RACO GANGABLE BOX No. (Or Equal)	
1	3¾"	696	592	Qty. 2
2	7⅞"	698	592	Qty. 4
3	11"	965	592	Qty. 6
4	14⅝"	N/A	592	Qty. 8
5	18¼"	N/A	592	Qty. 10
6	21⅞"	N/A	592	Qty. 12

AVAILABLE GANGED KEY SWITCHES

Field Note - If ganged plate requirement is not specified, the individual key switch assembly will be provided.

Porter recommends the use of "double" gang spacing (as illustrated) per single switch, to provide adequate clearance for wiring within the electrical box.



IMPORTANT NOTE - PERFORMANCE OF WINCH IS BASED ON 115 VOLTS AT MOTOR TERMINALS. VOLTAGES LESS THAN 115 VOLTS WILL AFFECT HOISTING CAPACITY AND RESULT IN DAMAGE TO MOTOR, THUS VOIDING WARRANTY. **SUBSTITUTION** OF THIS KEY SWITCH WILL VOID ALL WARRANTIES AND WILL RENDER THE OPERATION OF BACKSTOPS / CURTAINS UNSAFE.

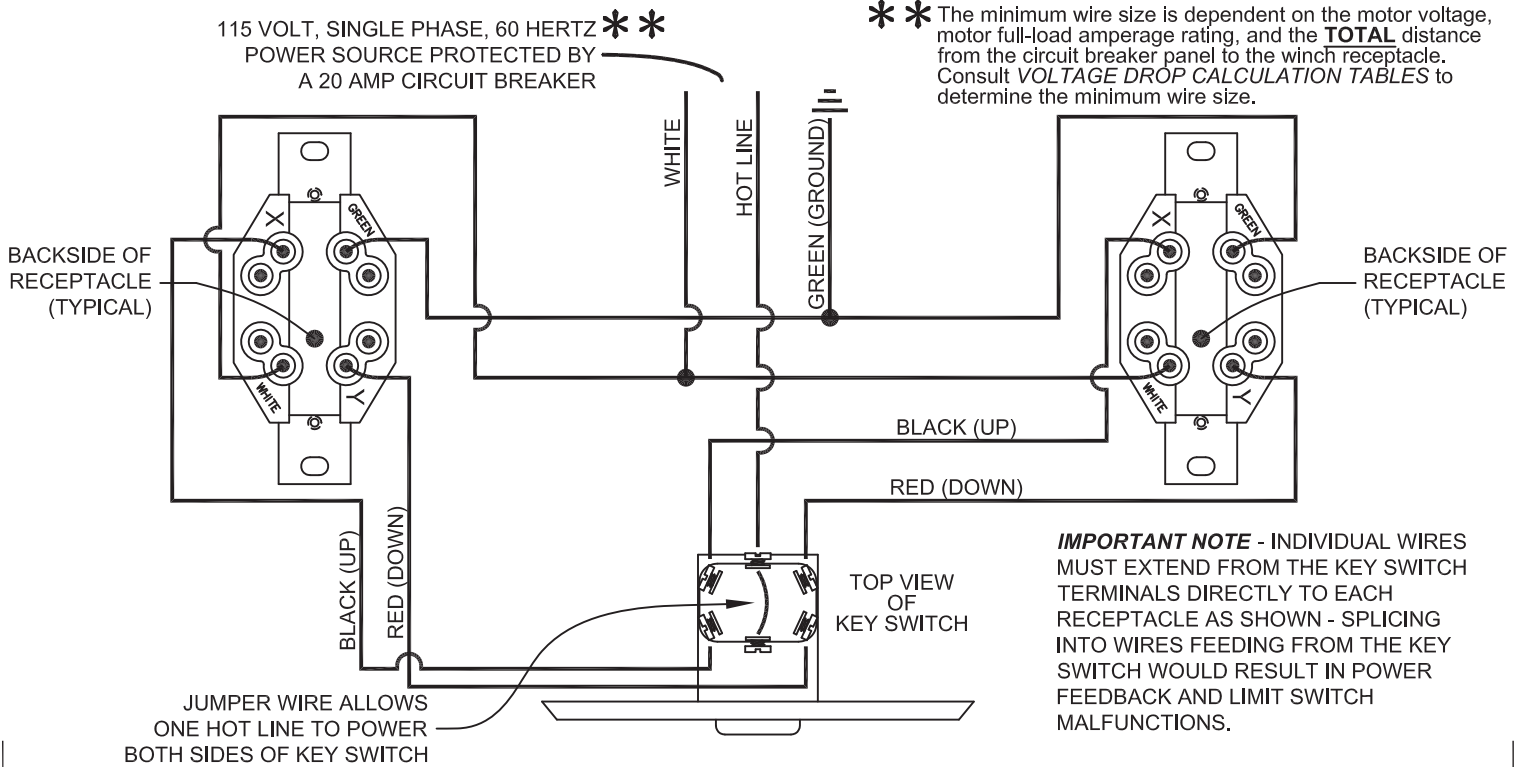
WIRING DETAILS FOR BASKETBALL BACKSTOP AND DIVIDER CURTAIN HOIST SYSTEMS

porter
WORLD LEADER
IN QUALITY SPORTS EQUIPMENT

2500 SOUTH 25th AVENUE
BROADVIEW, ILLINOIS 60155
PHONE - 800.947.6783 FAX - 708.338.2060
www.porter-ath.com

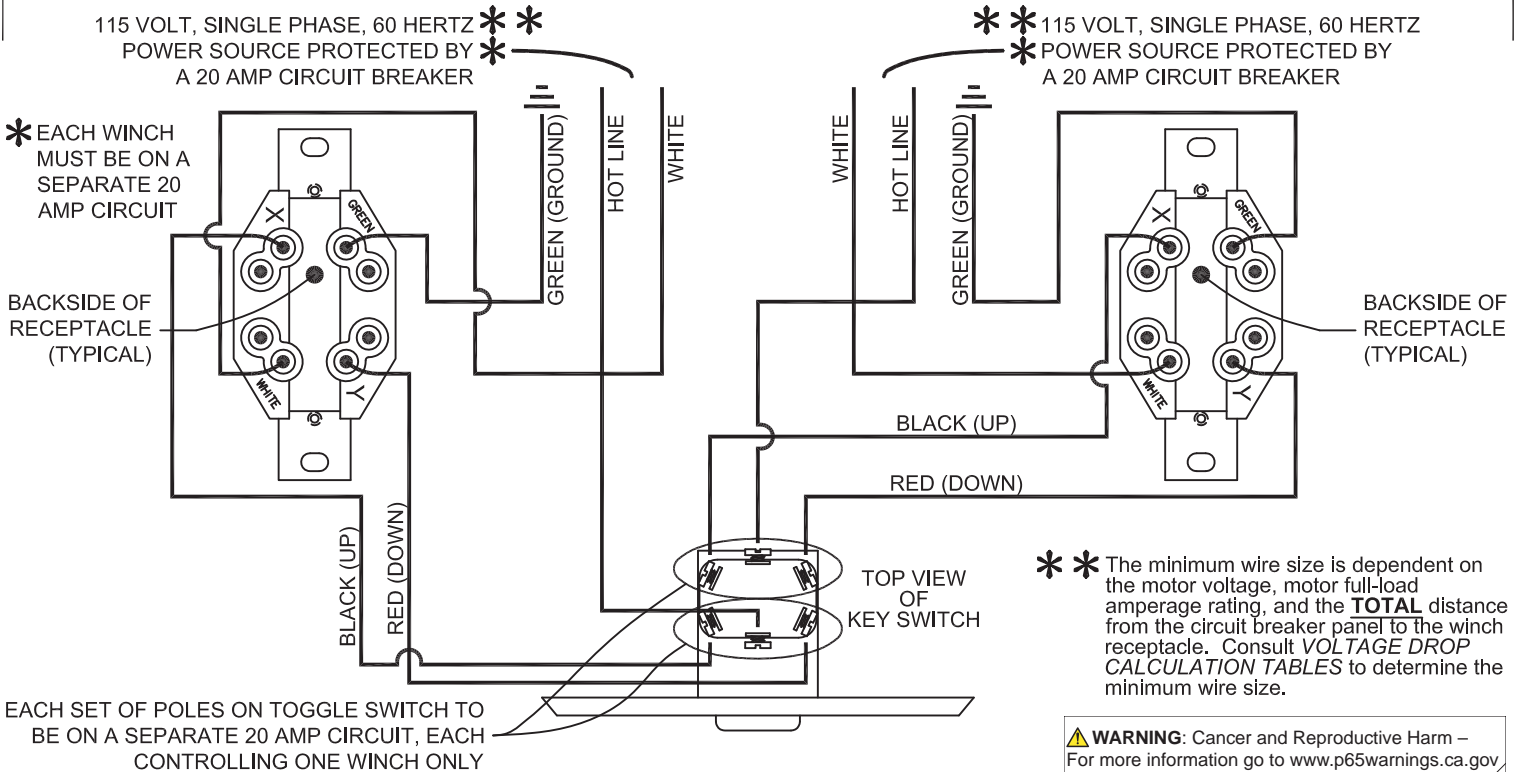


WIRING DETAILS ONE KEY SWITCH OPERATING TWO WINCHES



WIRING DIAGRAM WHERE TOTAL AMPERAGE OF TWO WINCHES IS 20 AMPS OR LESS

WIRING DIAGRAM WHERE TOTAL AMPERAGE OF TWO WINCHES IS ***GREATER THAN 20 AMPS***



WARNING: Cancer and Reproductive Harm –
For more information go to www.p65warnings.ca.gov

IMPORTANT NOTE - PERFORMANCE OF WINCH IS BASED ON 115 VOLTS AT MOTOR TERMINALS. VOLTAGES LESS THAN 115 VOLTS WILL AFFECT HOISTING CAPACITY AND RESULT IN DAMAGE TO MOTOR, THUS VOIDING WARRANTY. **SUBSTITUTION** OF THIS KEY SWITCH WILL VOID ALL WARRANTIES AND WILL RENDER THE OPERATION OF BACKSTOPS / CURTAINS UNSAFE.