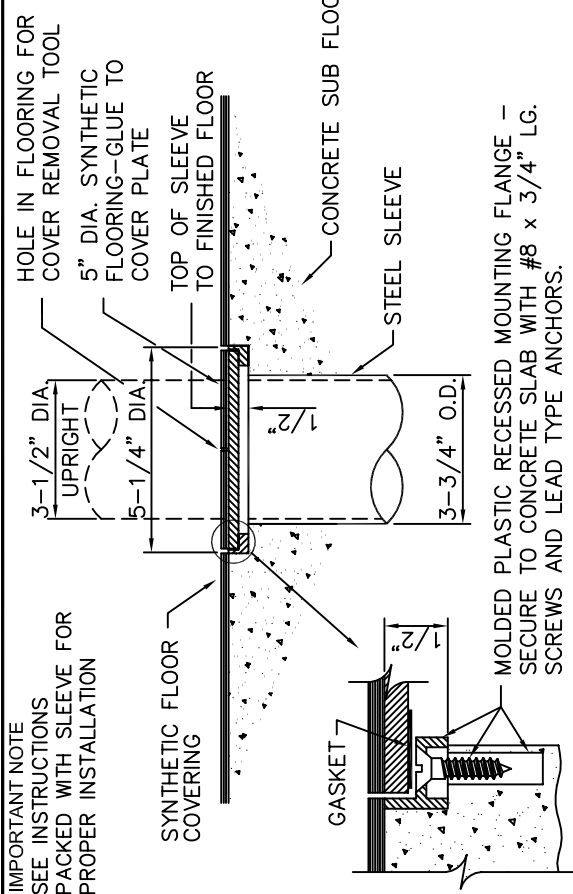


**TYPICAL COVER MOUNTING DETAIL IN WOOD FLOOR**



**TYPICAL COVER MOUNTING DETAIL FOR SYNTHETIC TYPE FLOOR**

REVISION	DATE	PORTER <sup>®</sup> No.
RJM	10-11-94	
Remove Temp. Framing	10-1-00	CUSTOMER No.
DATE	5-1-1993	

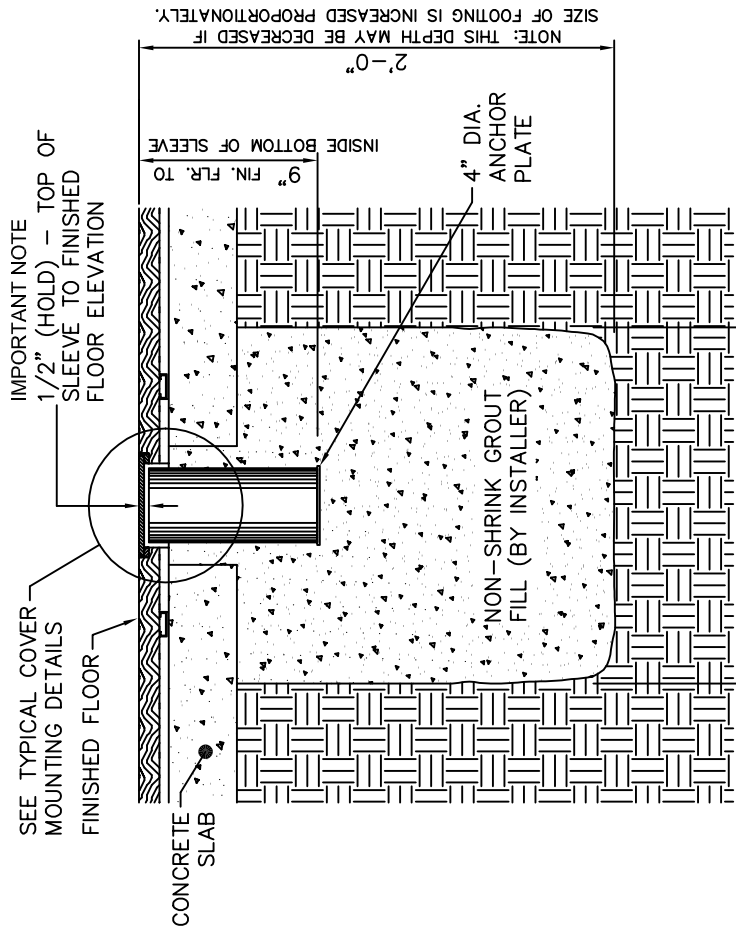
**00870-100 and 00870-200**  
**FLOOR SLEEVES FOR 3-1/2" DIA. POST**  
**WITH 5" DIA. COVER**

**PORTER<sup>®</sup>**  
*It's What the Pros Play On!<sup>®</sup>*  
**WORLD LEADER**  
**IN QUALITY SPORTS EQUIPMENT**  
 2500 S. 25th AVENUE, P.O. BOX 2500  
 BROADVIEW, ILLINOIS 60155-2500

DRAWING BY	DR
CHECKED BY	GS
PAGE No.	G-870

© COPYRIGHT 1998 PORTER ATHLETIC EQUIPMENT CO. ALL RIGHTS RESERVED

THIS PRINT IS THE PROPERTY OF PORTER ATHLETIC EQUIPMENT COMPANY AND MAY NOT BE REPRODUCED WITHOUT WRITTEN PERMISSION



**TYPICAL INSTALLATION DETAIL**

**INSTALLATION OPTIONS** (NOTE - SLEEVE SHOULD BE INSTALLED IN SLAB BEFORE FINISHED FLOOR IS IN PLACE. IF FINISHED FLOOR IS IN PLACE, USE FLOOR SLEEVE WITH 8" COVER - SEE PAGE G-772 OR G-872).

**\* 1.** LOCATE AND CORE 5" MINIMUM DIA. HOLES IN SLAB AND GROUT SLEEVES IN PLACE PER DETAIL ABOVE. CAUTION - BEFORE CORING HOLES IN EXISTING CONCRETE SLAB, CHECK FOR LOCATIONS OF ELECTRICAL CONDUIT OR PIPE.

**2.** LOCATE SLEEVES AND POUR IN PLACE IN CONCRETE SLAB. COMPLETE INSTALLATION INSTRUCTIONS ARE INCLUDED WITH FLOOR SLEEVE.

NOTE: THIS DEPTH MAY BE DECREASED IF SIZE OF FOOTING IS INCREASED PROPORTIONATELY.

# **SPECIFICATIONS**

## **PORTER No. 00870-100 GYMNASIUM FLOOR SLEEVE WITH CHROME COVER FOR 3-1/2" (8.9cm) O.D. VOLLEYBALL AND TENNIS STANDARDS**

Sleeve shall be cast in concrete footing before concrete slab is poured. (For installation in existing floors, specify the use of No. 00872-100 or 00872-200 sleeve.) Top of sleeve to be installed 1/2" (1.3cm) below finished floor elevation.

Chrome plated cover plate assembly shall be provided for use in either synthetic or wood floors. Cover plate shall consist of molded plastic recessed mounting flange, cork gasket and a 5" (12.7cm) diameter chrome plated cover. Cover shall be equipped with a swivel type retainer pin to prevent theft. Special key shall be provided for cover removal.

Sleeve assembly shall be 3-3/4" (9.5cm) O.D. heavy wall steel tubing extending 9" (22.9cm) into concrete footing. Bottom of sleeve shall be capped with a 4" (10.2cm) diameter steel disc to provide proper anchorage in footing. Sleeve assembly to be finished in a rust resistant enamel finish.

## **PORTER No. 00870-200 GYMNASIUM FLOOR SLEEVE WITH BRASS COVER FOR 3-1/2" (8.9cm) O.D. VOLLEYBALL AND TENNIS STANDARDS**

Same specification as No. 00870-100 above, except that cover plate is brass plated.