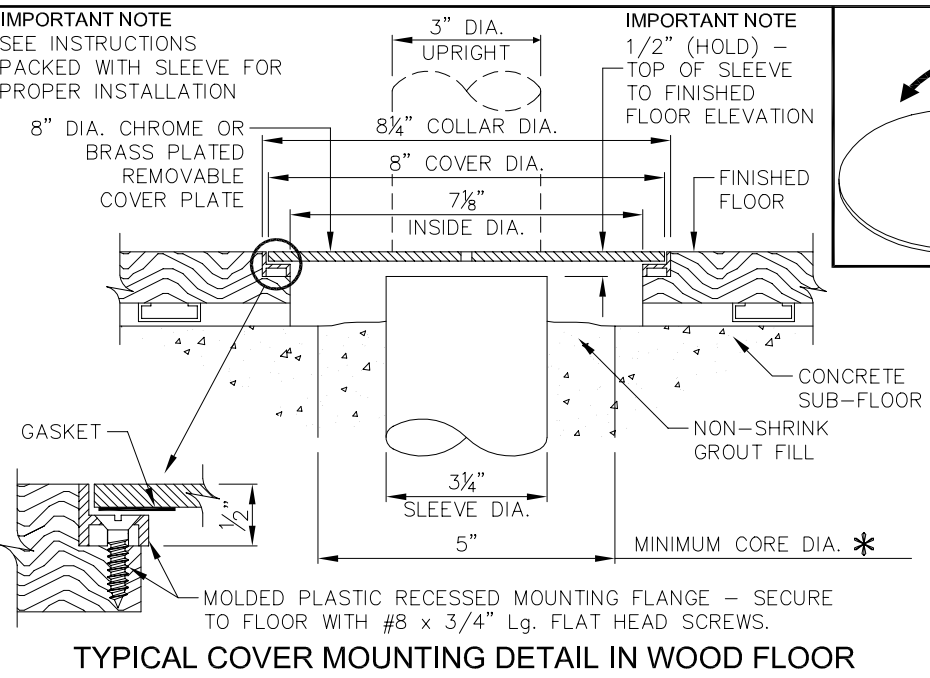


|              |      |              |
|--------------|------|--------------|
| REVISION     | DATE | PORTER'S No. |
|              |      |              |
| CUSTOMER No. |      |              |

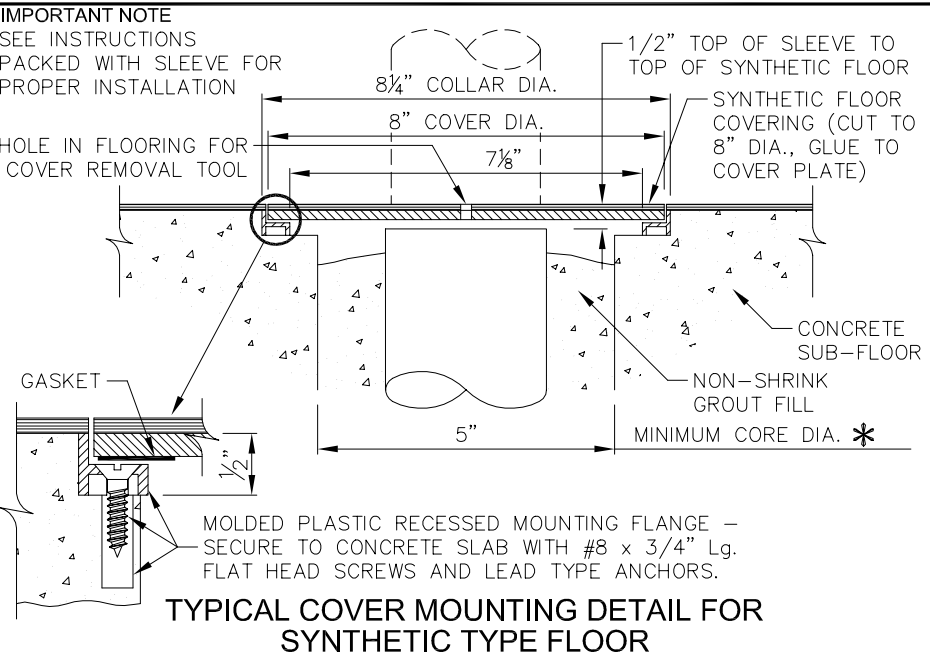
00792-100 and 00792-200  
FLOOR SLEEVES FOR 3" DIA. POST  
WITH 8" DIA. COVER

**Porter**  
WORLD LEADER  
IN QUALITY SPORTS EQUIPMENT  
2500 S. 25th AVENUE  
BROADVIEW, ILLINOIS 60155  
www.porter-ath.com

|            |       |
|------------|-------|
| DRAWING BY | ME    |
| CHECKED BY | RJM   |
| PAGE No.   | G-792 |



**TYPICAL COVER MOUNTING DETAIL IN WOOD FLOOR**



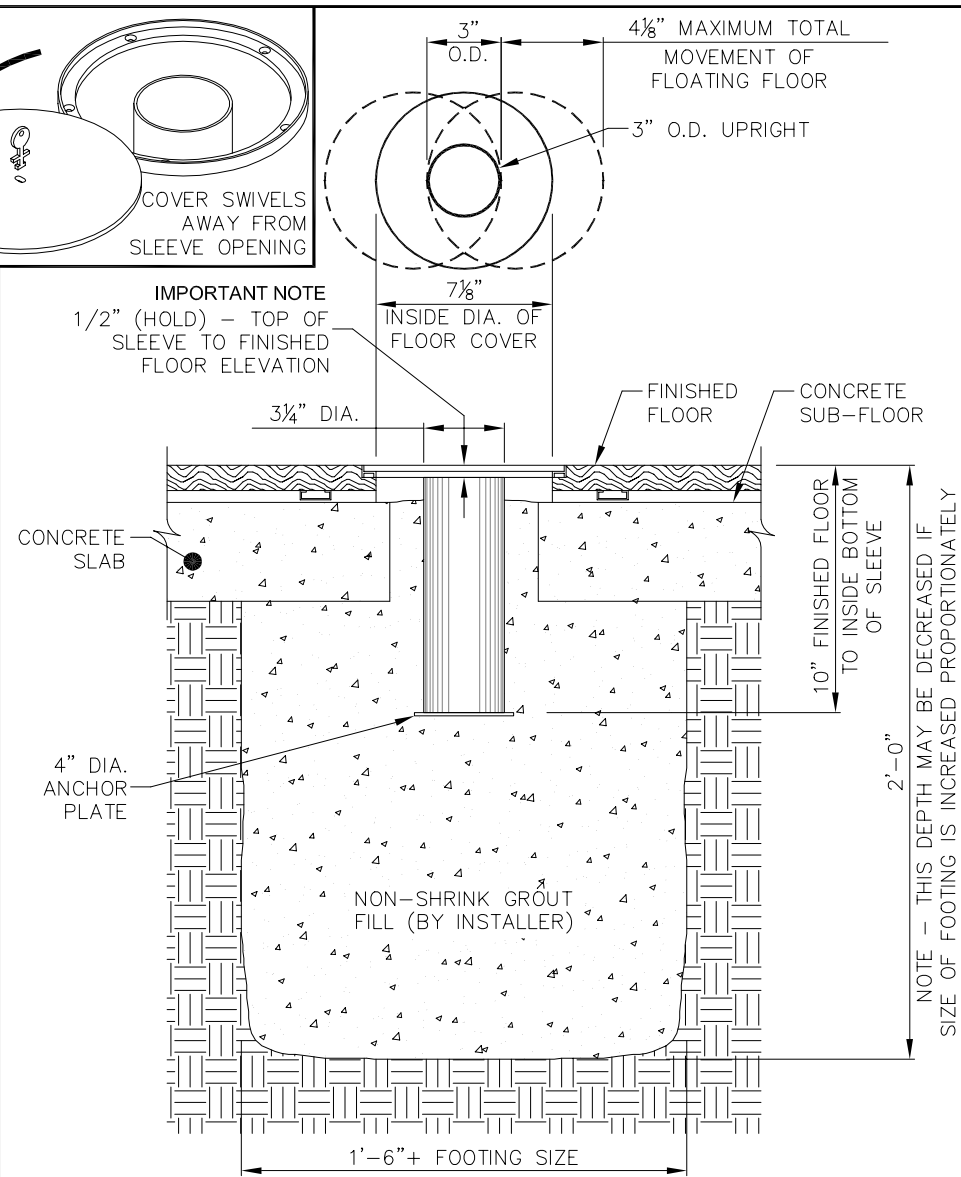
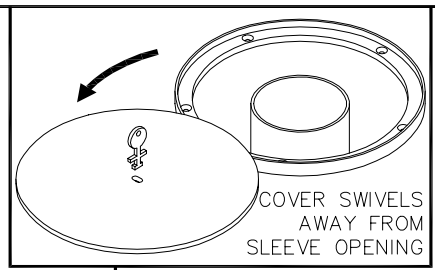
**TYPICAL COVER MOUNTING DETAIL FOR SYNTHETIC TYPE FLOOR**

INDICATE QUANTITY OF FLOOR SLEEVES REQ'D

SELECT COVER:

00792-100 FLOOR SLEEVE WITH CHROME COVER PLATE

00792-200 FLOOR SLEEVE WITH BRASS COVER PLATE



**TYPICAL INSTALLATION DETAIL**

**INSTALLATION OPTIONS**

- \*1. LOCATE AND CORE 5" MINIMUM DIA. HOLES IN SLAB AND GROUT SLEEVES IN PLACE PER DETAIL ABOVE. **CAUTION** - BEFORE CORING HOLES IN EXISTING CONCRETE SLAB, CHECK FOR LOCATIONS OF ELECTRICAL CONDUIT OR PIPE.
  - 2. LOCATE SLEEVES AND POUR IN PLACE IN CONCRETE SLAB.
- COMPLETE INSTALLATION INSTRUCTIONS ARE INCLUDED WITH FLOOR SLEEVE.

NOTE - THIS DEPTH MAY BE DECREASED IF SIZE OF FOOTING IS INCREASED PROPORTIONATELY

# **SPECIFICATIONS**

## **PORTER No. 00792-100 GYMNASIUM FLOOR SLEEVE WITH CHROME COVER FOR 3" (7.6cm) O.D. VOLLEYBALL STANDARDS FOR USE IN ALL EXISTING OR FLOATING TYPE WOOD FLOORS**

Sleeve shall be cast in concrete footing before slab is poured for new construction or remodeling in conjunction with floating type wood floors or in non-shrink type grout footing through existing finished floors. Top of sleeve to be installed 1/2" (1.3cm) below finished floor elevation.

Chrome plated cover plate shall be 8" (20.3cm) in diameter to allow maximum movement of 4-1/8" (10.4cm) in floating type floors. Cover plate shall consist of molded plastic recessed mounting flange (8-1/4" (20.9cm) dia.) cork gasket and an 8" (20.3cm) diameter chrome plated cover. Cover shall be equipped with a swivel type retainer pin to prevent theft. Special key shall be provided for cover removal.

Sleeve assembly shall be 3-1/4" (8.3cm) O.D. heavy wall steel tubing extending 10" (25.4cm) into concrete footing. Bottom of sleeve shall be capped with a 4" (10.2cm) diameter steel disc to provide proper anchorage in footing. Sleeve assembly to be finished in a rust resistant enamel finish.

## **PORTER No. 00792-200 GYMNASIUM FLOOR SLEEVE WITH BRASS COVER FOR 3" (7.6cm) O.D. VOLLEYBALL STANDARDS FOR USE IN ALL EXISTING OR FLOATING TYPE WOOD FLOORS**

Same specification as No. 00792-100 above, except that cover plate is brass plated.