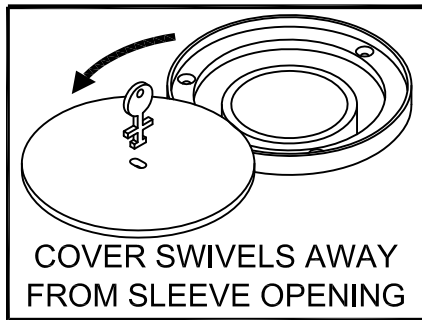
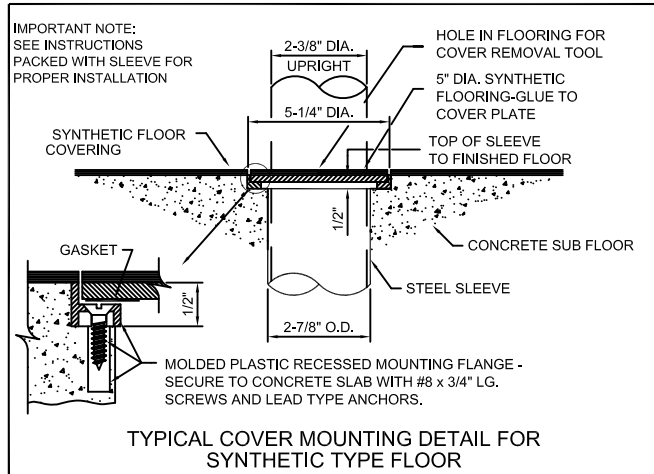
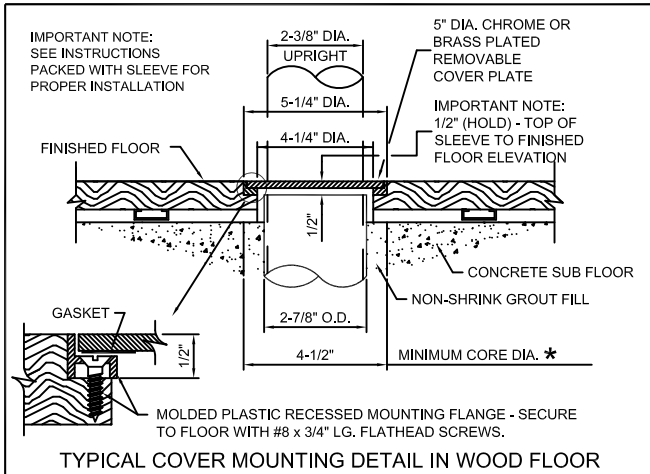


00770-X00 - INDOOR FLOOR SLEEVE

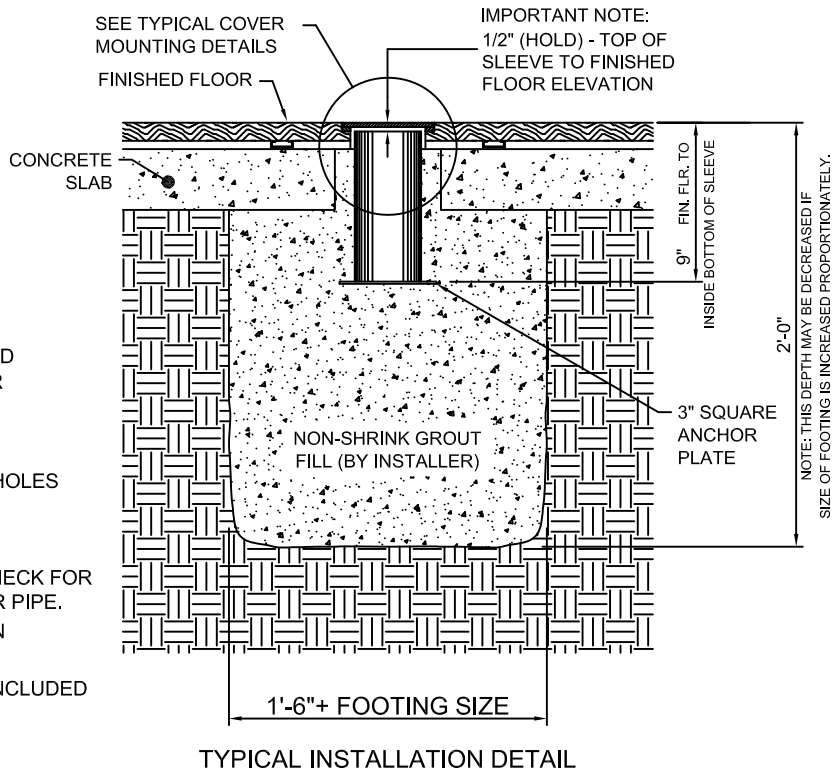
00770-100 AND 00770-200 FLOOR SLEEVES FOR 2-3/8" DIA. POST WITH 5" DIA. COVER



INSTALLATION OPTIONS (NOTE - SLEEVE SHOULD BE INSTALLED IN SLAB BEFORE FINISHED FLOOR IS IN PLACE. IF FINISHED FLOOR IS IN PLACE, USE FLOOR SLEEVE WITH 8" COVER - SEE PAGE G-772 OR G-872).

- * 1. LOCATE AND CORE 4-1/2" MINIMUM DIA. HOLES IN SLAB AND GROUT SLEEVES IN PLACE PER DETAIL ABOVE. CAUTION - BEFORE CORING HOLES IN EXISTING CONCRETE SLAB, CHECK FOR LOCATIONS OF ELECTRICAL CONDUIT OR PIPE.
- 2. LOCATE SLEEVES AND POUR IN PLACE IN CONCRETE SLAB.

COMPLETE INSTALLATION INSTRUCTIONS ARE INCLUDED WITH FLOOR SLEEVE.



INDICATE QUANTITY OF FLOOR SLEEVES REQ'D

SELECT COVER:

- 00770-100 FLOOR SLEEVE WITH CHROME COVER PLATE
- 00770-200 FLOOR SLEEVE WITH BRASS COVER PLATE

00770-X00 - INDOOR FLOOR SLEEVE

00770-100 AND 00770-200 FLOOR SLEEVES FOR 2-3/8" DIA. POST WITH 5" DIA. COVER

SPECIFICATIONS

PORTER No. 00770-100 GYMNASIUM FLOOR SLEEVE WITH CHROME COVER FOR 2-3/8 (6.0cm) O.D. COMBINATION GAME STANDARDS

Sleeve shall be cast in concrete footing before concrete slab is poured. (For installation in existing floors, specify the use of No. 00772-100 or 00772-200 sleeve.) Top of sleeve to be installed 1/2 (1.3cm) below finished floor elevation.

Chrome plated cover plate assembly shall be provided for use in either synthetic or wood floors. Cover plate shall consist of molded plastic recessed mounting flange, cork gasket and a 5(12.7cm) diameter chrome plated cover.

Cover shall be equipped with a swivel type retainer pin to prevent theft. Special key shall be provided for cover removal.

Sleeve assembly shall be 2-7/8(7.3cm) O.D. heavy wall steel tubing extending 9 (22.9cm) into concrete footing. Bottom of sleeve shall be capped with a 3 (7.6cm) square steel plate to provide proper anchorage in footing. Sleeve assembly to be finished in a rust resistant enamel finish.

PORTER No. 00770-200 GYMNASIUM FLOOR SLEEVE WITH BRASS COVER FOR 2-3/8 (6.0cm) O.D. COMBINATION GAME STANDARDS

Same specification as No. 00770-100 above, except that cover plate is brass plated.