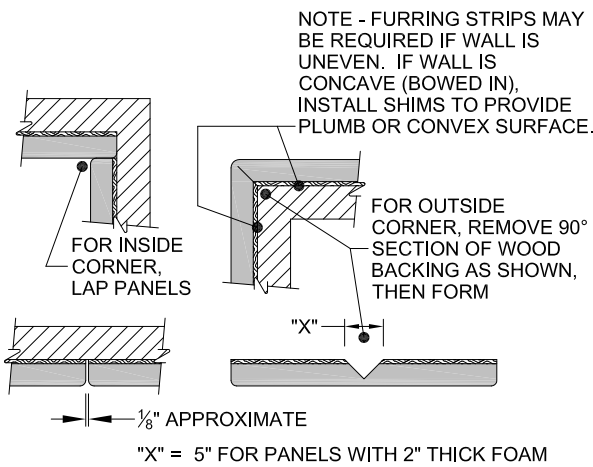
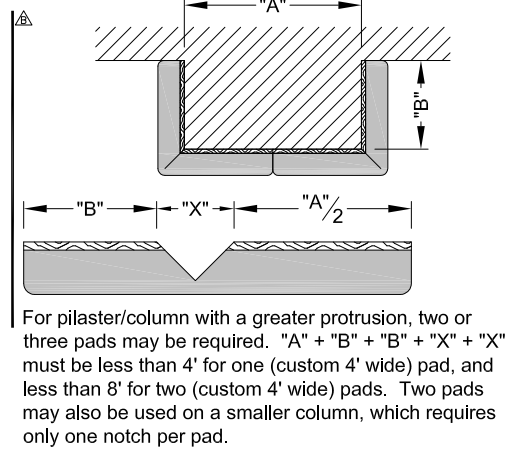
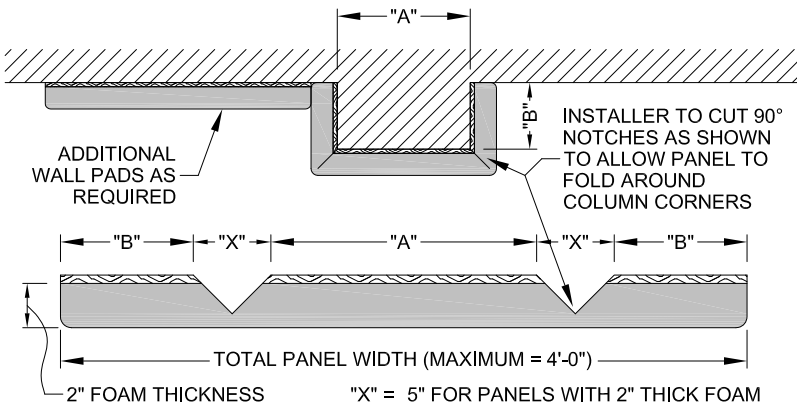
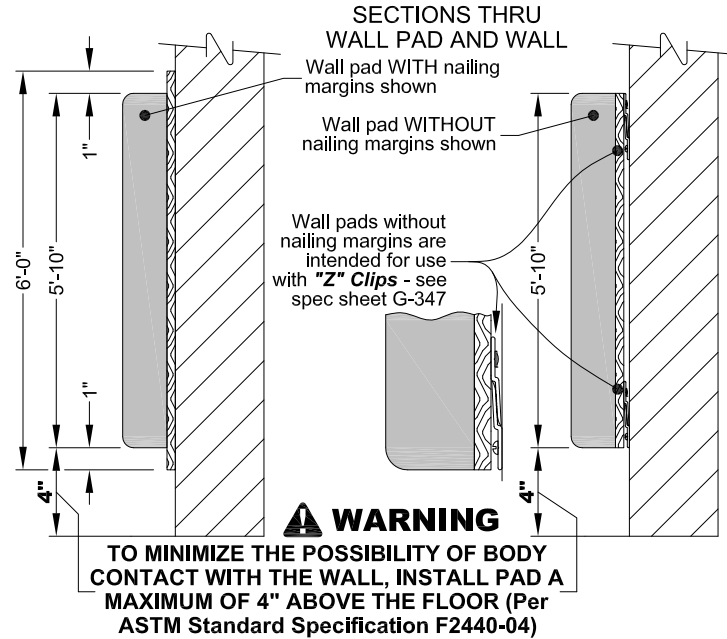


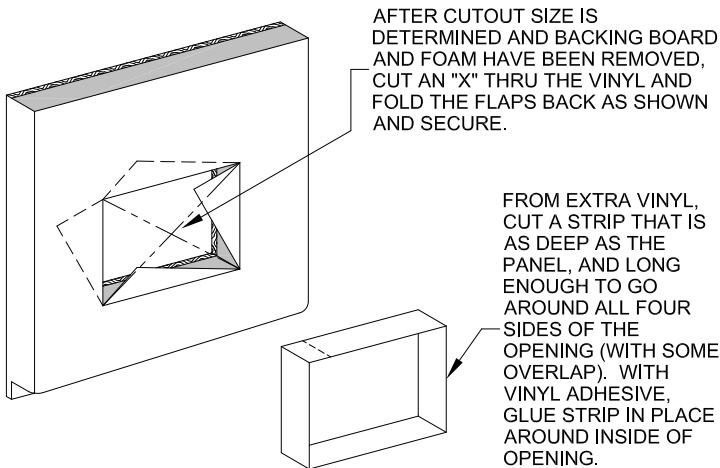
# WALL PAD INSTALLATION DETAILS



NOTE - ALL CUSTOM CUTTING AND FITTING OF PANELS TO BE DONE IN-FIELD, TO ENSURE A PRECISE FIT.



## TYPICAL CUTOUT DETAIL



## OPTIONAL No. 343 & 344 MOLDED INSERTS

