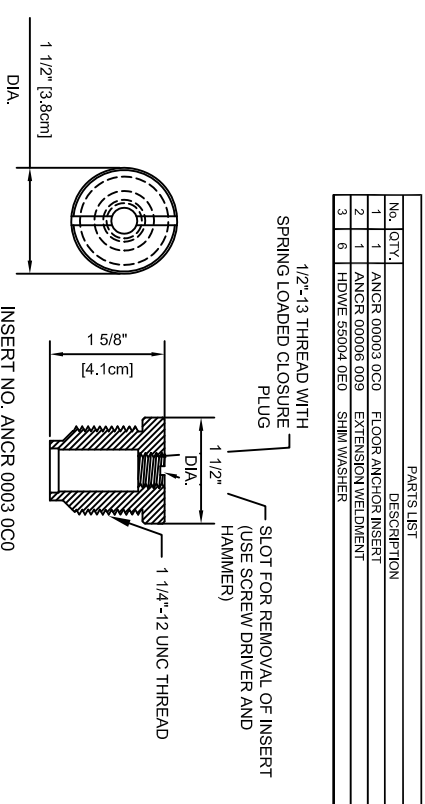
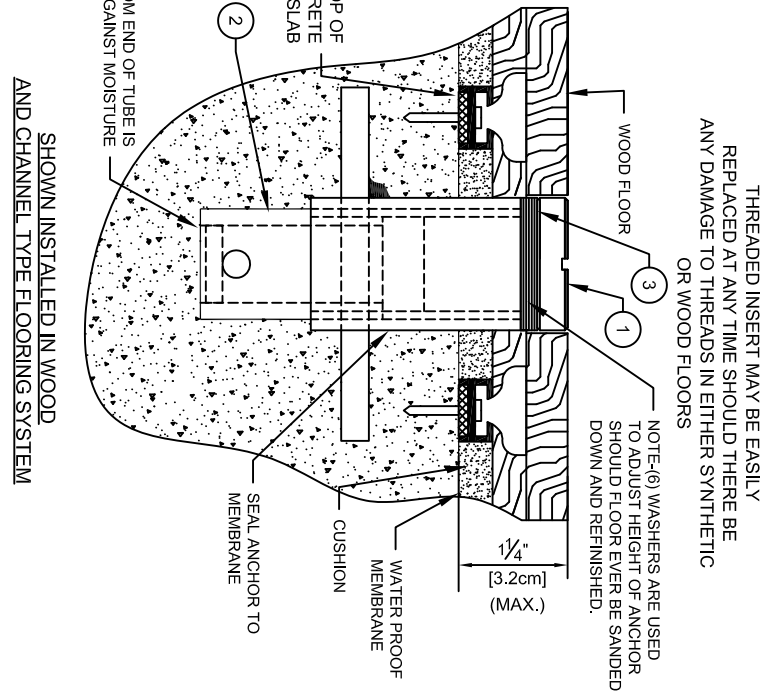
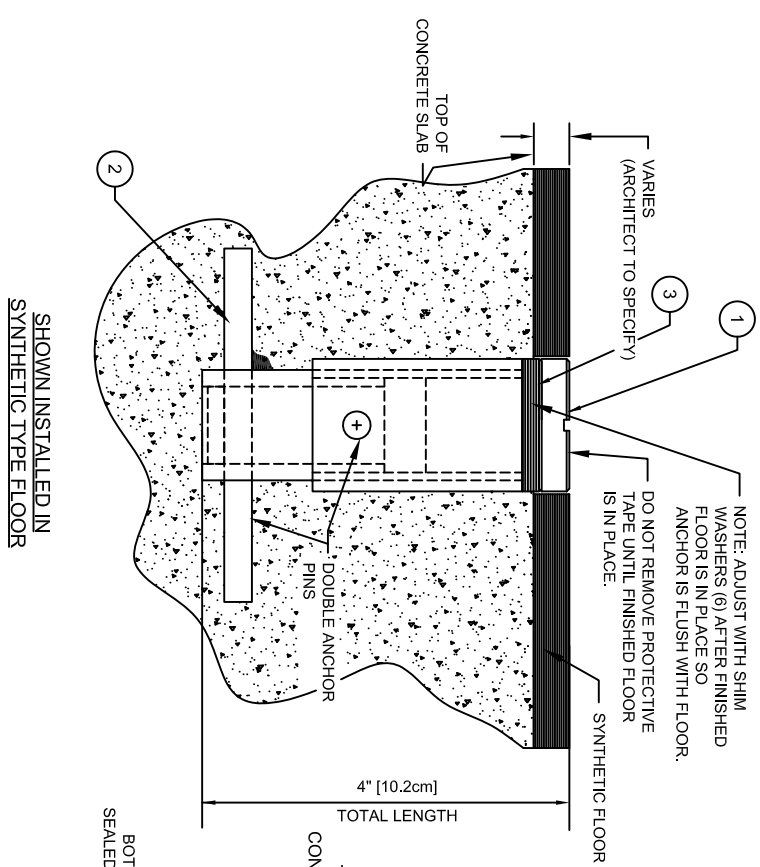


00247-000 - FLOOR ANCHOR

CAST-IN-SLAB FLOOR ANCHOR

IMPORTANT NOTES:

- ◆ FLOOR ANCHOR TO BE CAST IN CONCRETE SLAB WITH PROJECTION EQUAL TO TOTAL FINISHED FLOOR THICKNESS. ARCHITECT TO FURNISH FLOOR THICKNESS AND FLOOR PLAN SHOWING ANCHOR LOCATIONS. (ARCHITECT MAY CONTACT PORTER FOR SUGGESTED FLOOR ANCHOR LAYOUT.)
- ◆ FOR FLOOR INSERTS TO BE USED ONLY FOR UPRIGHT PIN LOCATIONS. USE 00247-100 FLOOR INSERT WHICH IS INSTALLED AT EXACT CENTERS REQUIRED AFTER FINISHED FLOOR IS IN PLACE.
- ◆ COURT LINES MUST BE LAID OUT USING THE ALREADY INSTALLED 00247-000 ANCHORS AS REFERENCE POINTS.



PARTS LIST		DESCRIPTION	
NO.	QTY.		
1	1	ANCR 00003 000	FLOOR ANCHOR INSERT
2	1	ANCR 00006 009	EXTENSION WELDMENT
3	6	HDWE 55004 0E0	SHIM WASHER

SHOWN INSTALLED IN SYNTHETIC TYPE FLOOR

SHOWN INSTALLED IN WOOD AND CHANNEL TYPE FLOORING SYSTEM

00247-000 CAST-IN-SLAB FLOOR ANCHOR

00247-000 - FLOOR ANCHOR

CAST-IN-SLAB FLOOR ANCHOR

SPECIFICATIONS

PORTER No. 00247-000 FLOOR ANCHOR

Anchor is designed for use in synthetic floors or wood and channel lock type floors not exceeding 1-1/4" in total finished floor thickness above concrete sub-floor. Anchor shall be cast in concrete slab with head protruding equal to the thickness of the synthetic or wood floor that is specified. (Architect to specify this dimension.)

Size of anchor is 1-1/2" in diameter x 4" in length.

Top threaded section of anchor may be removed and replaced should there be any damage to the internal threads. The internal threads (1/2-13 N.C.) shall be protected by a spring loaded plug with ample clearance between plug and inside of wall of body to allow free movement at all times.

Shim washers which are provided between top section and cast in place body may be removed should floor be sanded or refinished to keep the top of the anchor flush with the finished floor. (There is a total of 3/16" of adjustment in 1/32" increments.)

The bottom cast in place section shall be through pinned with two (2) 5/16" diameter x 4" long anchor pins positioned at right angles to secure unit in concrete slab. Bottom section shall be completely sealed against moisture. Water-proof membrane as used on some type floors may be sealed to bottom anchor section, so as not to affect warranty on floor.

Top of anchor shall be polished and chrome plated. Bottom anchor section shall be zinc plated.

Anchor shall be furnished with complete installation instructions.