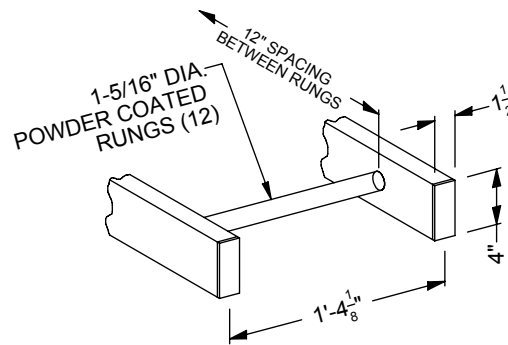
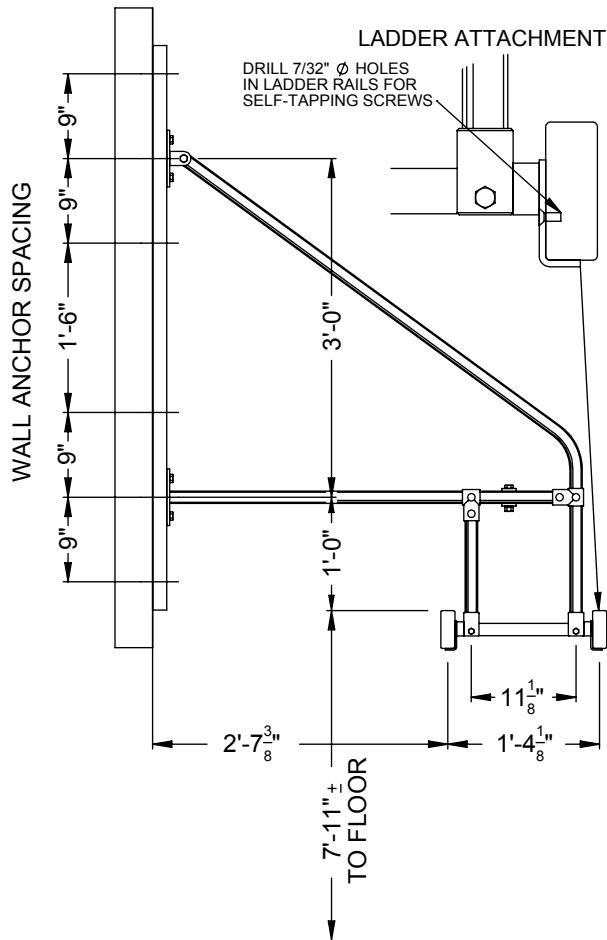
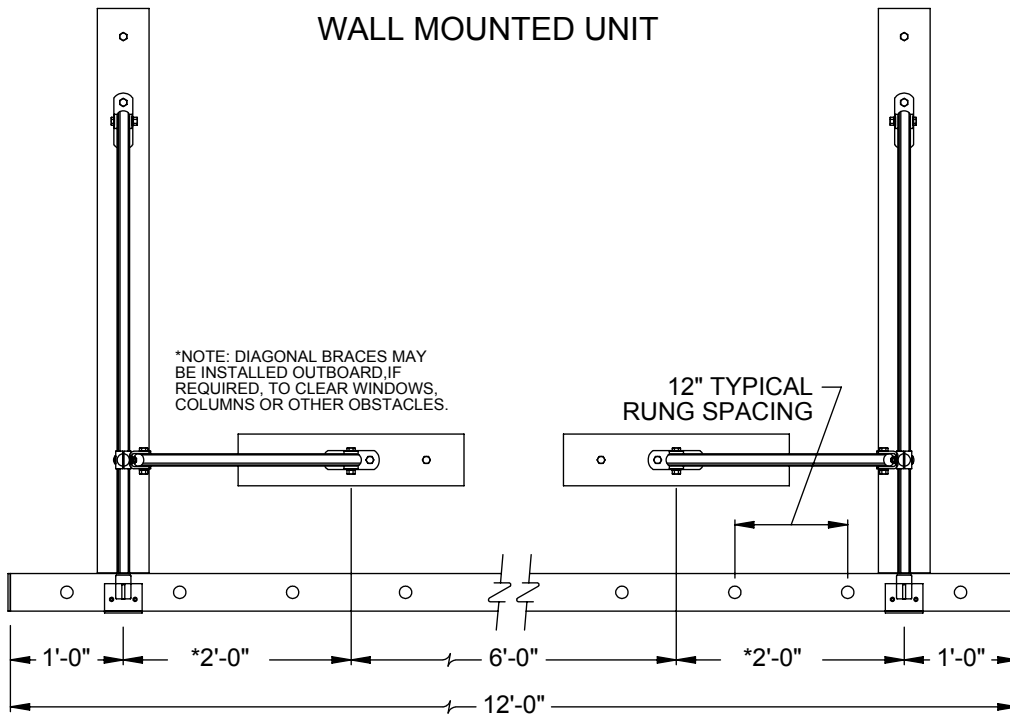


00125100 - HORIZONTAL LADDER



PARTS LIST		
NO.	QTY.	DESCRIPTION
1	1	FRME00241001 LADDER FRAME
2	2	EXTN00024001 EXTENSION TUBE WELDMENT
3	2	TUBR00175001 FORMED DROP TUBE
4	2	TUBR00177001 STRAIGHT DROP TUBE
5	2	TUBR00176001 DIAGONAL BRACE
6	4	FRME00043001 LADDER FRAME HANGER
7	4	HING00041001 HINGE WELDMENT
8	8	TEES00001000 TEE CASTING
9	4	HDWE012070E0 3/8"x2-1/4" HEX HEAD CAP SCREW (GRADE 5)
10	8	HDWE020500E0 3/8"x2" LG. CARRIAGE BOLT
11	12	HDWE040020E0 3/8" LOCKWASHER
12	4	HDWE030020E0 3/8" HEX NUT
13	6	HDWE011640E0 1/2"x2-1/2" HEX HEAD CAP SCREW (GRADE 5)
14	12	HDWE020580E0 1/2"x2-1/4" CARRIAGE BOLT (GRADE 5)
15	12	HDWE060310E0 1/2"x4" LG. LAG SCREW
16	12	HDWE050050E0 1/2" FLATWASHER
17	18	HDWE040030E0 1/2" LOCKWASHER
18	18	HDWE030030E0 1/2" HEX NUT
19	8	HDWE060410E0 1/4"x5/8" LG. SELF-TAPPING SCREW
20	12	HDWE08021000 VINYL SCREW ANCHOR
21	2	XPAD2060200B 2x6 WOOD PAD x 2'-0" LG.
22	2	XPAD2060500B 2x6 WOOD PAD x 5'-0" LG.
23	12	HDWE030050E0 3/8" LOCKING CAP NUT

_____ - 00125100 WALL MOUNTED UNIT

00125100 - HORIZONTAL LADDER

WALL MOUNTED UNIT

SPECIFICATIONS

Ladder shall be 12'-0" long with formed steel side rails and twelve (12), 1-5/16" diameter rungs. Side rails shall be 1-1/2" wide x 4" deep heavy wall rectangular tube capped with a plug on both ends. Finish of side rails and rungs to be pit and peel resistant durable textured black powder coat.

Ladder shall be supported by two pipe frames which shall be spaced 10'-0" center to center which will position inside of ladder 2'-6" from wall. The height of the ladder may be varied and shall be determined by the user.

Each triangular shaped supporting frame shall be constructed of 1-5/16" O.D. heavy wall tube joined at intersections with high strength aluminum alloy castings. The supporting frames shall be further braced laterally with two diagonal 1-5/16" O.D. braces which terminate in hinge brackets mounted on wall. Diagonal braces may be installed inboard or outboard to clear windows, columns or other obstacles. Each supporting frame shall be attached to 2" x 6" wall pads properly anchored to wall.

Wood pads to be finished in two coats of clear lacquer. Supporting frames to be finished in pit and peel resistant durable gloss black powder coat.

WARRANTY

- 125 horizontal ladder furnished with a 1-year limited warranty.

LEED® SUBMITTAL INFORMATION

Credit	Measure
MRC4-Recycled Content	Post Consumer Average 12.5% Post Industrial 0%
MRC5-Regional Materials	Raw materials originate from multiple sources so origin point cannot be determined. Final Manufacturing/Assembly in Champaign, IL 61822