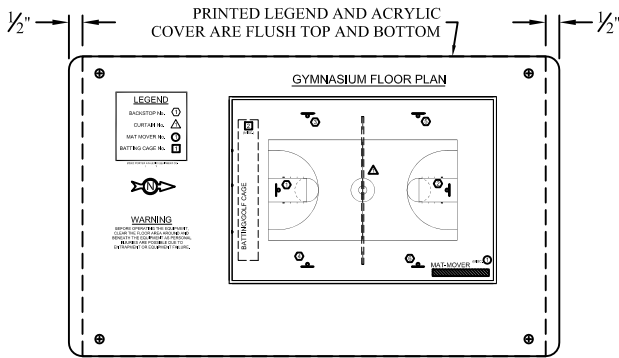
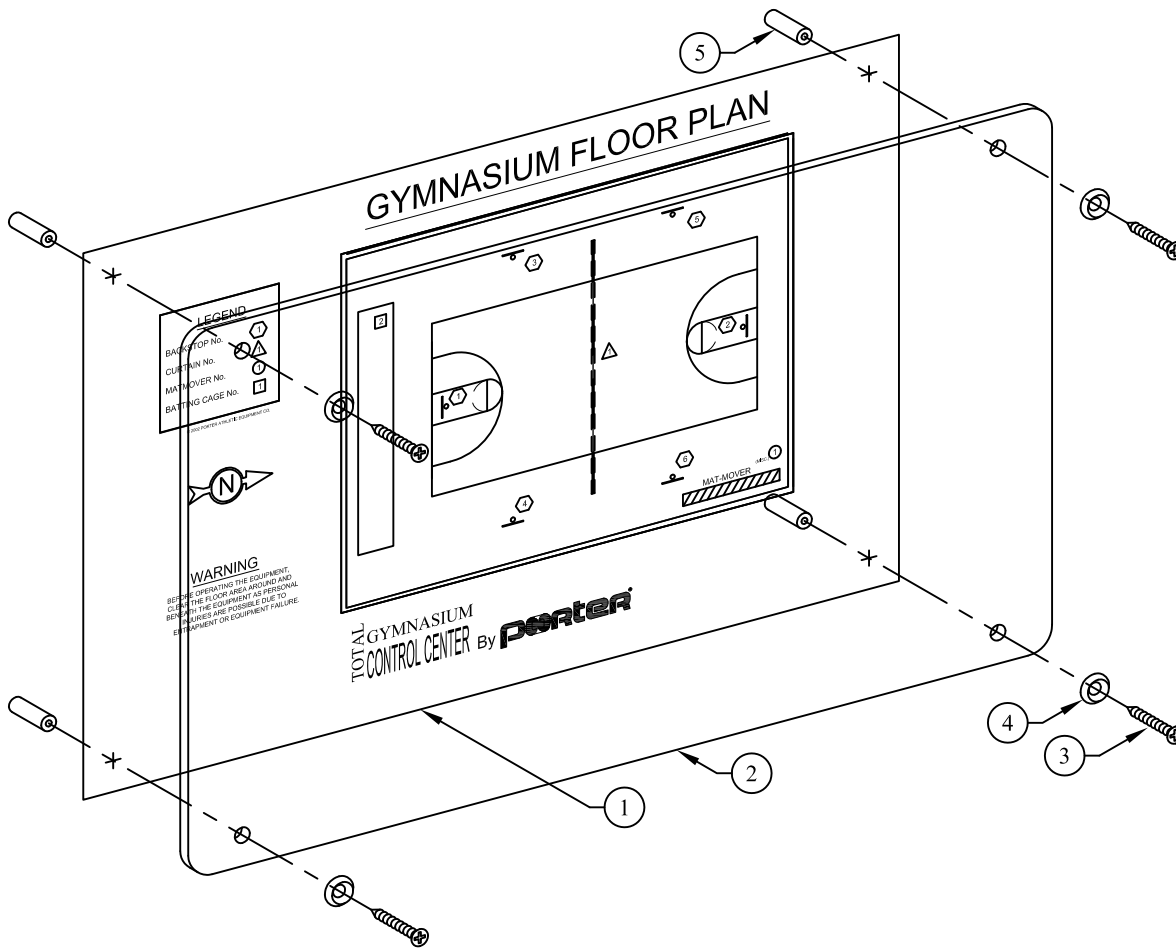


92500-000 - CUSTOM EQUIPMENT LEGEND



PARTS LIST			
No.	QTY.	PART NUMBER	DESCRIPTION
1	1	CUSTOM	CUSTOM EQUIPMENT LEGEND
2	1	COVR 00069 000	ACRYLIC COVER
3	4	HDWE 06144 0E0	#10 x 1-1/2 LG. FLAT HEAD SHEET MTL SCREW
4	4	HDWE 55058 0E0	#10 COUNTERSUNK FINISHING WASHER
5	4	HDWE 58001 000	#10-12 VINYL ANCHOR



92500-000 CUSTOM EQUIPMENT LEGEND (11" x 18")

TO BE MOUNTED NEAR POWR-TOUCH® TouchPad, KEY SWITCHES, OR IN THE CASE OF SPORTSONIC® II OPERATION, A PROMINENT LOCATION IN THE GYMNASIUM.



PROJECT NUMBER

PROJECT NAME

92500-000 - CUSTOM EQUIPMENT LEGEND

SPECIFICATIONS

PORTER No. 92500-000 CUSTOM EQUIPMENT LEGEND

Custom Equipment Legend shall be used in conjunction with Porter's Powr-Touch® and Powr-Touch® II Control Systems, Sportsonic® II Radio Control Systems, and Key Switch Systems. The wall-mounted legend allows the user to identify each piece of equipment and its corresponding number on the control system.

Equipment legend shall consist of a piece of cardstock, 11" x 17" in size, preprinted with an accurate floorplan and equipment layout of the gymnasium or facility. A legend on the floorplan will identify each piece of equipment by number.

The printed cardstock shall be secured to the wall behind a piece of 1/4" thick clear acrylic sheet, 11" x 18" in size. Mounting hardware shall be provided for masonry walls. Hardware for other types of wall construction shall be by others. The acrylic sheet provides a durable and attractive installation of the Custom Equipment Legend.