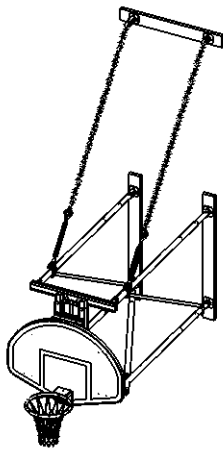


90220000 - SIDE FOLD BACKSTOP

WALL MOUNTED, SIDE FOLD UNIT
4' TO 10' FACE OF BACKBOARD TO WALL

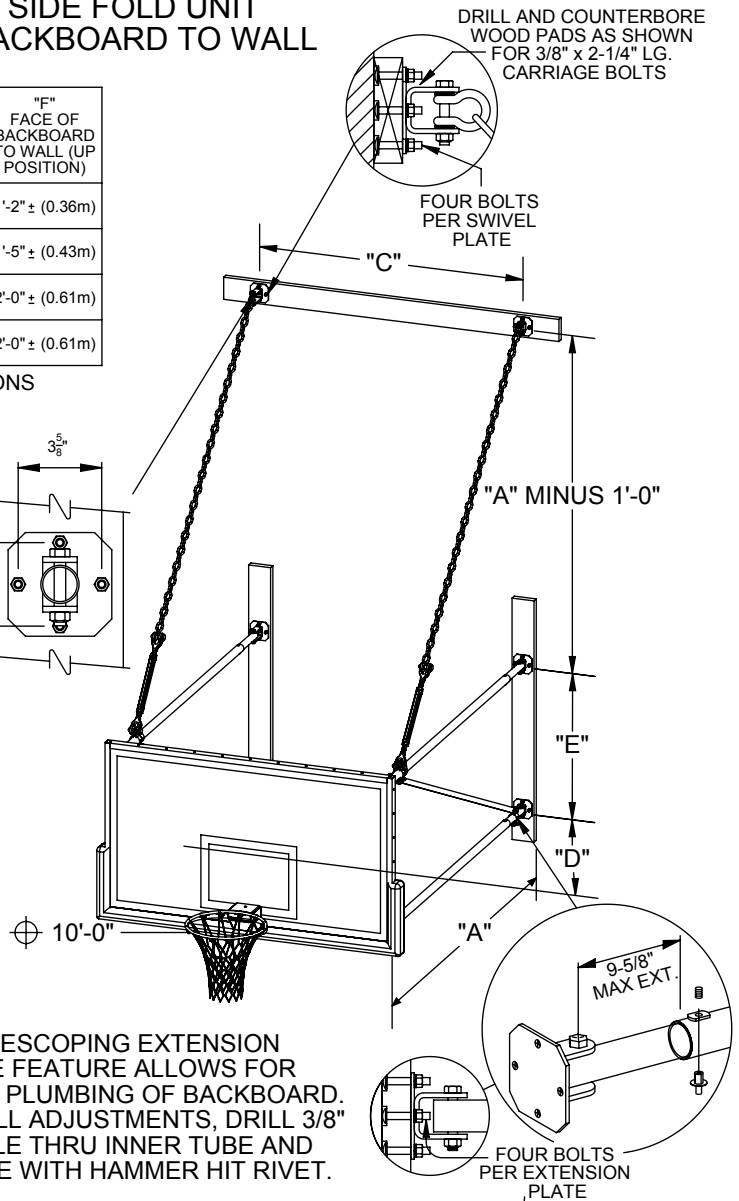
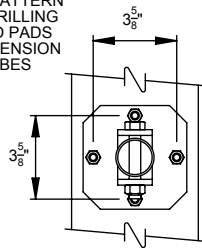
BACKBOARD STYLE (SEE B-200)	"B" BACKSTOP FOLD DIMENSION (TO ϕ OF SUPPORTS)	"C" PIPE SUPPORT DISTANCE	"D" HINGE TO FLOOR	"E" VERTICAL PIPE SUPPORT DISTANCE	"F" FACE OF BACKBOARD TO WALL (UP POSITION)
RECTANGULAR	"A" + 2'-3"	5'-6" (1.68m)	9'-9" (2.97m)	3'-0" (0.92m)	1'-2" \pm (0.36m)
FAN	"A" + 1'-6"	2'-11" (0.889m)	10'-2" (3.10m)	1'-8" (0.51m)	1'-5" \pm (0.43m)
RECTANGULAR WITH HEIGHT ADJUSTER	"A" + 1'-7"	2'-11" (0.889m)	9'-8 $\frac{1}{2}$ " (2.96m)	3'-8 $\frac{1}{2}$ " (1.12m)	2'-0" \pm (0.61m)
FAN WITH HEIGHT ADJUSTER	"A" + 11"	2'-11" (0.889m)	9'-8" (2.94m)	3'-8 $\frac{1}{2}$ " (1.12m)	2'-0" \pm (0.61m)

AVAILABLE WITH MANUAL OR ELECTRIC WINCH OPTIONS



FAN WITH HEIGHT ADJUSTER SHOWN FOR COMPARISON

HOLE PATTERN FOR DRILLING WOOD PADS AT EXTENSION TUBES



DRILL AND COUNTERBORE WOOD PADS AS SHOWN FOR 3/8" x 2-1/4" LG. CARRIAGE BOLTS

FOUR BOLTS PER SWIVEL PLATE

"A" MINUS 1'-0"

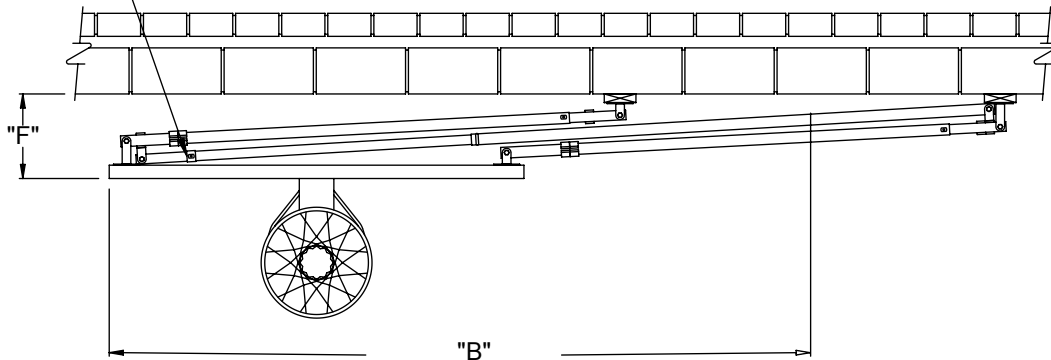
"E"

"D"

9-5/8" MAX EXT.

FOUR BOLTS PER EXTENSION PLATE

TELESCOPING EXTENSION TUBE FEATURE ALLOWS FOR PRECISE PLUMBING OF BACKBOARD. AFTER ALL ADJUSTMENTS, DRILL 3/8" ϕ HOLE THRU INNER TUBE AND SECURE WITH HAMMER HIT RIVET.



- _____ - 90220000 WALL MOUNTED, SIDE FOLD UNIT
- _____ - FACE OF BACKBOARD TO WALL ("A")
- _____ - BACKBOARD SELECTION
- _____ - GOAL SELECTION
- _____ - PADDING SELECTION
- _____ - WINCH SELECTION

90220000 - SIDE FOLD BACKSTOP

WALL MOUNTED, SIDE FOLD UNIT
4' TO 10' FACE OF BACKBOARD TO WALL

SPECIFICATIONS

Backstop shall be wall-mounted side-fold type with face of backboard extended 4'-0" to 10'-0" from supporting wall.

Extension frames shall be fabricated of four (4) 1-7/8" O.D. tubes with a telescoping end section for ease of installation, and precise plumbing and alignment of backboard with official court markings, even when supported on uneven wall conditions. Ends of telescoping extension frame assemblies shall be drilled and bolted to hinge plate assemblies (short and long) for attachment to the backside of the backboard and to the wall pads. The hinge plate assemblies shall be offset-type, to allow backstop to be folded to a position nearly flat against the wall. The direction of fold is determined at the time of installation by placement of the hinge plate assemblies.

Backstop shall be vertically braced with two (2) 3/16" x 1-1/4" steel tension flats attached at both ends with precision die-formed clamps. Two (2) chain supports (3/16" proof coil chain) shall extend diagonally from the wall to the upper extension tubes, terminating in clamp-type fittings.

Backstop shall be locked into the playing and storage positions by means of a 1-7/8" O.D. telescoping tube assembly, running diagonally across the lower extension tubes. An extension crank shall be provided (one for every two backstops) to operate telescoping brace from the floor. Crank engages eyebolt on telescoping brace to lock it in position. Crank is also used to pull backstop to playing or storage positions.

Southern yellow pine wall pads shall be provided at all wall attachment points. All edges shall be chamfered and pads shall be finished with two finish coats of natural gloss lacquer. Wood pads help distribute loads to walls. Some walls may not require wood pads.

All metal parts shall be powder coated. See swatch card SMPL00048037 for standard color options. (contact Porter for custom color requests)

Backstop provided with specified backboard and goal (see B-200 for options).

Electric operation available (see B-701 for options).

WARRANTY

- Wall mounted backstop structure comes with a 10 year limited warranty.
- Other components may be covered by their own warranty (see corresponding specifications for more details).

OPTIONAL ITEMS (SEE SPECIFICATION SHEETS FOR DETAIL)

- Height Adjuster (8' to 10' adjustable goal height) (see chart below)

CENTER-STRUT® HEIGHT ADJUSTER

- For Manual Operation, See Page No.: B-900-506 (Rectangular Boards) B-900-211 (Fan Boards)
- For Key Switch Operation, See Page No.: B-901-506 (Rectangular Boards) B-901-211 (Fan Boards)
- For Powr-Stick Operation, See Page No.: B-902-506 (Rectangular Boards) B-902-211 (Fan Boards)
- For Sportsonic® II Operation, See Page No.: B-903-506 (Rectangular Boards) B-903-211 (Fan Boards)
- For Powr-Touch Operation, See Page No.: B-904-506 (Rectangular Boards) B-904-211 (Fan Boards)

LEED® SUBMITTAL INFORMATION

Credit	Measure
MRc4-Recycled Content	Post Consumer Average 15.0% Post Industrial 0%
MRc5-Regional Materials	Raw materials originate from multiple sources so origin point cannot be determined. Final Manufacturing/Assembly in Champaign, IL 61822