

10220-001 - POWER OPERATION KIT

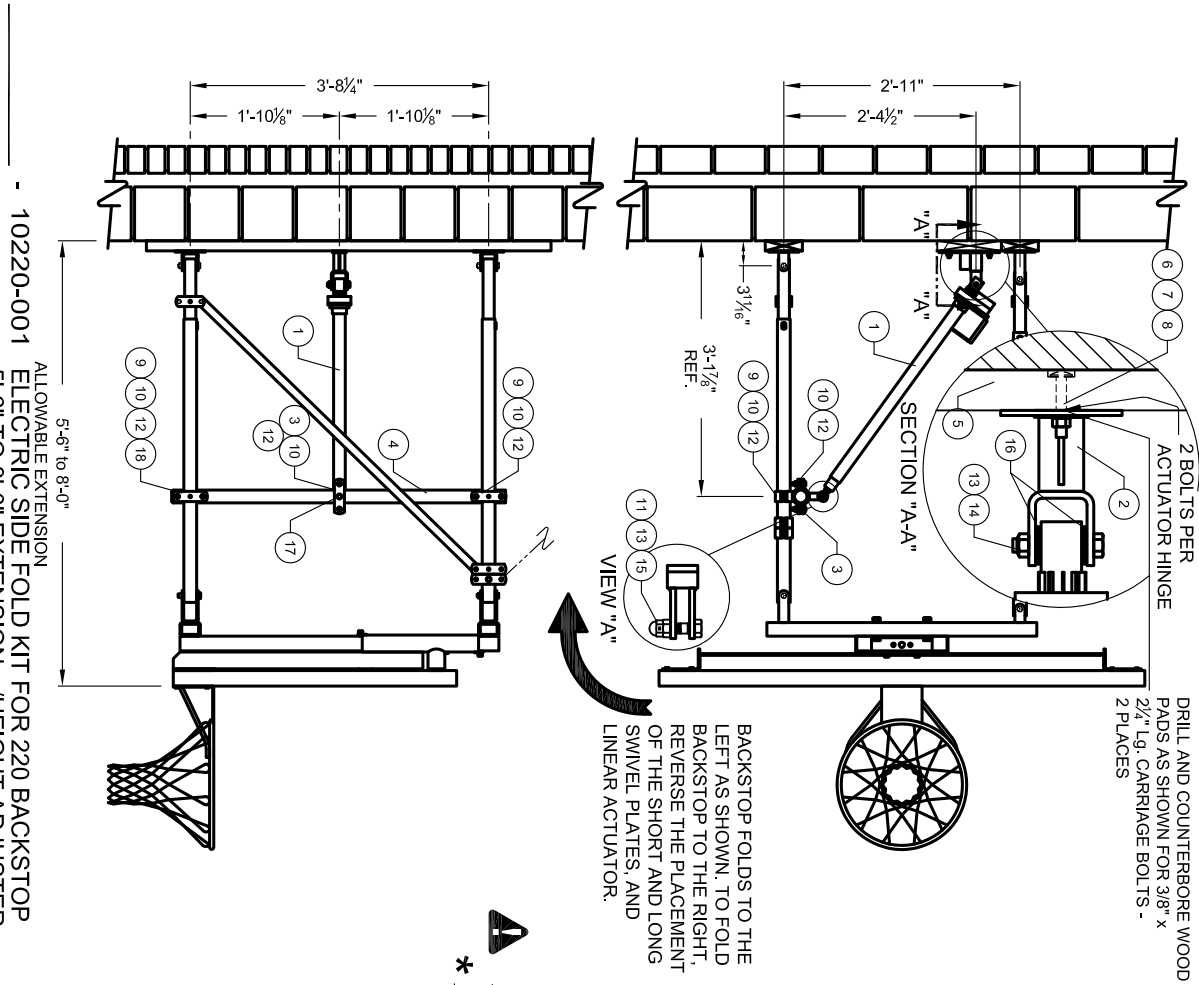
POWER OPERATION KIT FOR ELECTRIC OPERATION OF
No. 220 SIDE-FOLD BACKSTOP (Shown On Backstop With Height Adjuster)

Porter

WWW.PORTERATHLETIC.COM/FACILITY

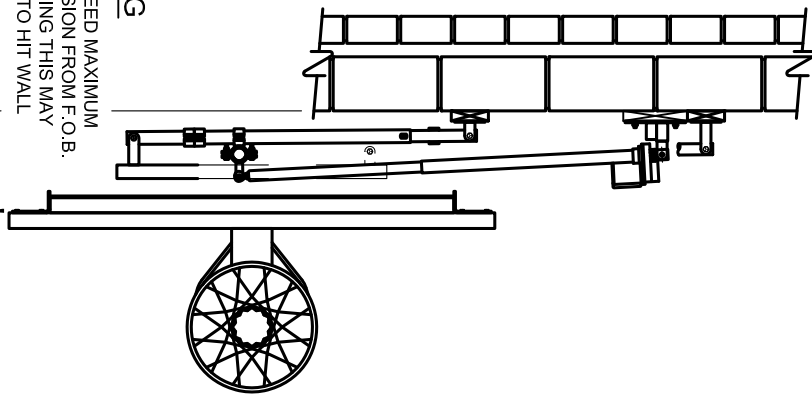
BASKETBALL SPECIFICATION SHEET

W-220-001H



10220-001 ALLOWABLE EXTENSION
ELECTRIC SIDE FOLD KIT FOR 220 BACKSTOP
5'-6" TO 8'-0" EXTENSION W/HEIGHT ADJUSTER

WARNING
* DO NOT EXCEED MAXIMUM FOLD DIMENSION FROM F.O.B. TO WALL. DOING THIS MAY CAUSE UNIT TO HIT WALL AND FAIL.



No.	QTY.	DESCRIPTION
1	1	ELEC 00232 000 LINEAR ACTUATOR MOTOR KIT
2	1	BRKT 00009 002 LINEAR ACTUATOR MOUNTING BRACKET
3	1	HING 00132 002 LINEAR ACTUATOR EAR CLAMP W/ELDMNT
4	1	TUBR 00728 002 1 7/8" TUBE 4'-1" LG.
5	1	XPAD 21002 608 2 X 10 WOOD PAD X-2-6" LG.
6	2	HADVE 02057 0P0 CARRIAGE BOLT - 3/8-16 X 2-1/4 GR-5 LOCKWASHER - 3/8
7	12	HADVE 03002 0E0 HEX NUT - 3/8-16
8	2	CLMP 00073 002 RIGHT ANGLE CLAMP W/ELD. 1 7/8"
9	2	CLMP 00003 002 HALF CLAMP - 1 1/2" BLK/CK.
10	1	HADVE 58150 000 NUT CON STRG/B. BOLT-1/2-13 X 2 1/2"
11	10	HADVE 02002 0E0 HEX NUT - 1/2-13
12	2	HADVE 01002 0E0 HEX HD CAP SCREW-1/2-13 X 1/4 GR-5
13	1	HADVE 01002 0E0 HEX HD CAP SCREW-1/2-13 X 1/4 GR-5
14	1	HADVE 03002 0E0 LOCKING TYPE CAP NUT - 1/2-13
15	1	HADVE 05005 0E0 FLATWASHER - 1/2 (US)
16	4	HADVE 58137 0E0 DRIVE RIVET - 3/8 X 1 1/16
17	1	PCAP 00059 002 INTERNAL CAP PLUG - 1 7/8 OD.
18	1	ELEC 00042 100 4 WIRE RECEPTACLE
19	1	ELEC 00047 050 1/2" DEEP SURFACE COVER
20	1	ELEC 00791 112 KEY SWITCH W/HOOK-UP-1 SWITCH
21	1	XELE 00791 112

Porter

888-277-7778 PORTER@PORTERATHLETIC.COM
© COPYRIGHT 2016 PORTER ATHLETIC - ALL RIGHTS RESERVED

PROJECT NUMBER _____

PROJECT NAME _____

11/17/2016

10220-001 - POWER OPERATION KIT

POWER OPERATION KIT FOR ELECTRIC OPERATION OF
No. 220 SIDE-FOLD BACKSTOP (Shown On Backstop With Height Adjuster)

SPECIFICATIONS

PORTER No. 10220-001 POWER OPERATION KIT FOR ELECTRIC OPERATION OF PORTER No. 220 WALL-MOUNTED SIDE-FOLD BACKSTOP WITH HEIGHT ADJUSTER

Kit shall include a linear actuator and all necessary brackets and hardware to provide remote electric operation of Porter No. 220 wall-mounted side-fold backstops with a face-of-backboard-to-wall dimension from 5'-6" to 8'-0".

System shall incorporate a compact 115-volt, gear motor type linear actuator with 600 pound thrust capacity to operate the side-fold backstop electrically. Motor shall draw 1.4 amps under full load. Integral limit switches shall provide automatic shut off in the extended (playing) or storage positions of the backstop. Actuator shall be pre-wired with a 4'-0" lg. neoprene covered cable with NEMA L14-20 twist-lock grounded type plug attached. Matching flange-type receptacle shall be mounted in a 4" square box cover (box by others) for power supply.

Southern yellow pine wall pad shall be provided for attaching actuator mounting bracket to wall. All hardware for securing wall pad to wall shall be by others. Driving end of actuator shall be connected to horizontal extension tubes on No. 220 backstop with a vertical 1-7/8" O.D. spreader tube.

The system shall be operated with a special dual-keyed, flush wall-mounted momentary key switch which cannot be instantly reversed. Switch assembly shall be furnished with a 4-1/2" square stainless steel cover plate for mounting in a masonry wall box by the electrical contractor.

The system may be operated with optional control systems as shown below, in lieu of the standard wall-mounted key switch. Specify type of optional control as required:

- Sportsonic® II Radio Control System
- Sportsonic® II Dual-Mode Radio Control / Key Switch System
- Powr-Touch® Key Pad Control System
- Powr-Touch® II Key Pad Control System

Wiring of all electrical components shall be in accordance with local area codes, and in accordance with manufacturer's instructions. All conduit, wiring, junction boxes and components not specified herein shall be furnished and installed by the electrical contractor.