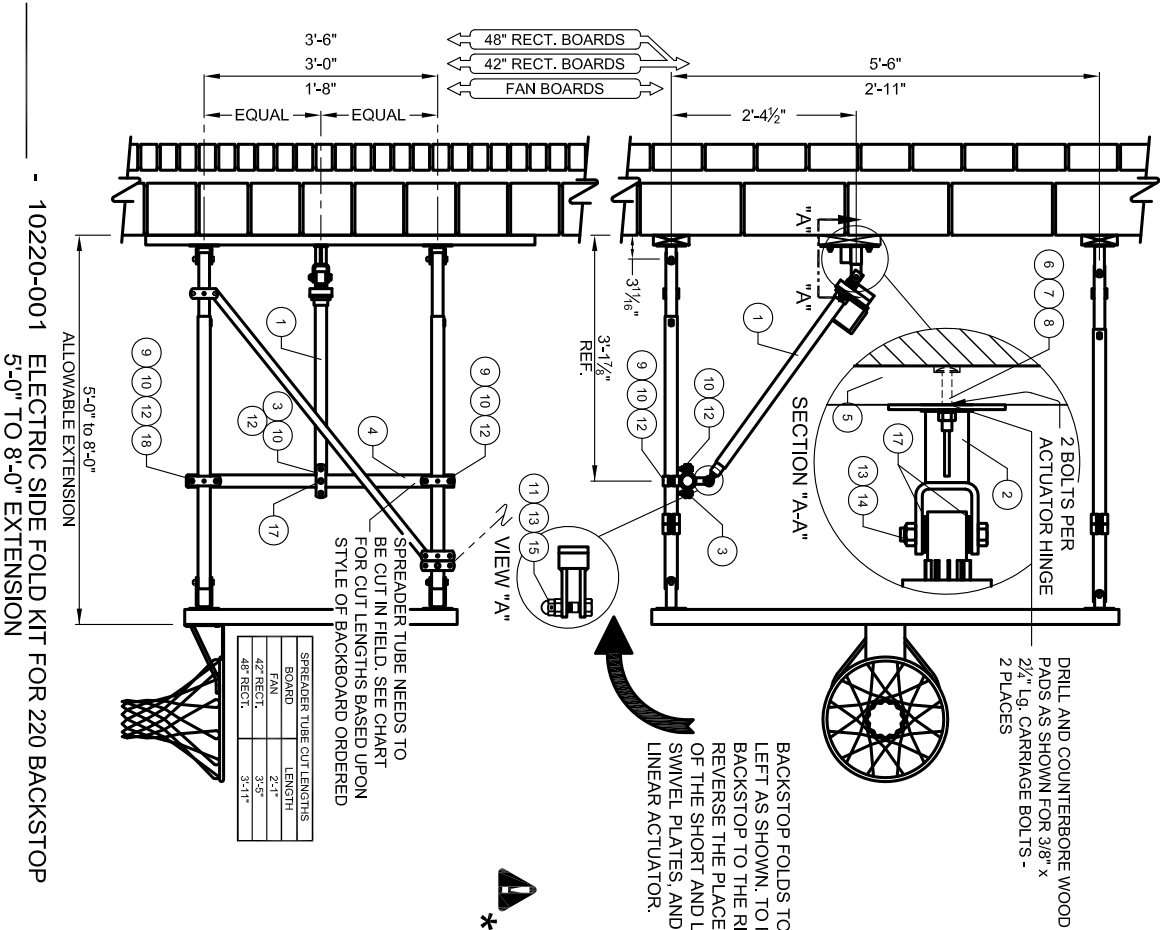


# 10220-001 - POWER OPERATION KIT

POWER OPERATION KIT FOR ELECTRIC OPERATION OF  
No. 220 SIDE-FOLD BACKSTOP(Shown On Backstop Without Height Adjuster)



10220-001  
ELECTRIC SIDE FOLD KIT FOR 220 BACKSTOP  
5'-0" TO 8'-0" EXTENSION

ALLOWABLE EXTENSION  
5'-0" TO 8'-0"

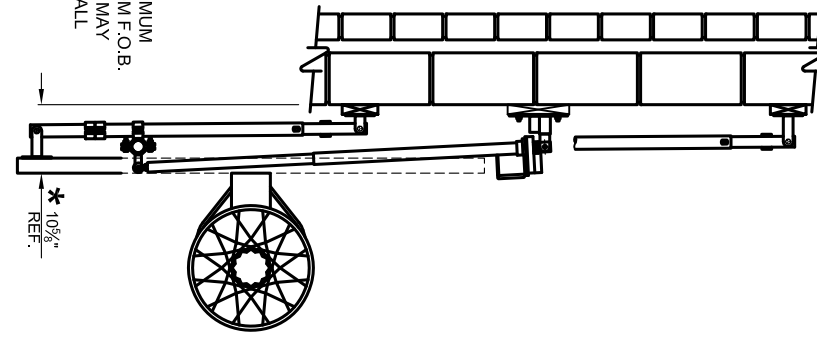
SPREADER TUBE CUT LENGTHS	BOARD	LENGTH
1	48" RECT.	2'-1"
2	42" RECT.	3'-5"
3	48" RECT.	3'-1"

SPREADER TUBE NEEDS TO BE CUT IN FIELD. SEE CHART FOR CUT LENGTHS BASED UPON STYLE OF BACKBOARD ORDERED

**WARNING**  
\* DO NOT EXCEED MAXIMUM FOLD DIMENSION FROM F.O.B. TO WALL. DOING THIS MAY CAUSE UNIT TO HIT WALL AND FAIL.

BACKSTOP FOLDS TO THE LEFT AS SHOWN. TO FOLD BACKSTOP TO THE RIGHT, REVERSE THE PLACEMENT OF THE SHORT AND LONG SWIVEL PLATES, AND LINEAR ACTUATOR.

DRILL AND COUNTERBORE WOOD PADS AS SHOWN FOR 3/8" x 2 1/2" LG. CARRIAGE BOLTS - 2 PLACES



No.	QTY.	DESCRIPTION
1	1	ELEC 000232 000 LINEAR ACTUATOR MOTOR KIT
2	1	BRC1 00009 002 LINEAR ACTUATOR MOUNTING BRACKET
3	1	HNG 00132 002 LINEAR ACTUATOR BAR CLAMP WELDMENT
4	1	TUBR 00728 002 1 7/8" TUBE 4'-11 1/2"
5	1	XSPAD 21002 608 2 X 10 WOOD PAD X 2'-5 1/2"
6	1	H0VE 02093 0P0 CARRIAGE BOLT 1.396 6 X 2 1/4 G45
7	1	H0VE 02093 0P0 CARRIAGE BOLT 1.396 6 X 2 1/4 G45
8	12	H0VE 03002 0E0 HEX NUT - 3/8" X 1 1/2"
9	2	CLAMP 00073 002 RIGHT ANGLE CLAMP WELD 1 7/8"
10	5	H0VE 58150 000 NYLON SHEAR BOLT 1/2-13 X 2 1/2"
11	1	H0VE 01204 0P0 HEX HD CAP SCREW 3/8 X 1 3/4 G45
12	10	H0VE 03003 0E0 HEX NUT - 1/2-13
13	2	H0VE 01102 0P0 HEX HD CAP SCREW 1/2-13 X 1 1/4 G45
14	1	H0VE 03008 0E0 LOCKING TYPE CAP NUT - 1/2-13
15	4	H0VE 03005 0E0 FLATWASHER - 1/2 (USS)
16	1	H0VE 58193 0E0 DRIVE RIVET - 3/8 X 1 1/2"
17	1	H0VE 58193 0E0 DRIVE RIVET - 3/8 X 1 1/2"
18	1	ELEC 00042 200 4 WIRE RESISTANCE
20	1	ELEC 00047 050 1/2" DEEP SURFACE COVER
21	1	XELE 00791 112 KEY SWITCH W/ROCK-UP-1 SWITCH

# 10220-001 - POWER OPERATION KIT

POWER OPERATION KIT FOR ELECTRIC OPERATION OF  
No. 220 SIDE-FOLD BACKSTOP(Shown On Backstop Without Height Adjuster)

## SPECIFICATIONS

### PORTER No. 10220-001 POWER OPERATION KIT FOR ELECTRIC OPERATION OF PORTER No. 220 WALL-MOUNTED SIDE-FOLD BACKSTOP WITHOUT HEIGHT ADJUSTER

Kit shall include a linear actuator and all necessary brackets and hardware to provide remote electric operation of Porter No. 220 wall-mounted side-fold backstops with a face-of-backboard-to-wall dimension from 5'-0" to 8'-0".

System shall incorporate a compact 115-volt, gear motor type linear actuator with 600 pound thrust capacity to operate the side-fold backstop electrically. Motor shall draw 1.4 amps under full load. Integral limit switches shall provide automatic shut off in the extended (playing) or storage positions of the backstop. Actuator shall be pre-wired with a 4'-0" lg. neoprene covered cable with NEMA L14-20 twist-lock grounded type plug attached. Matching flange-type receptacle shall be mounted in a 4" square box cover (box by others) for power supply.

Southern yellow pine wall pad shall be provided for attaching actuator mounting bracket to wall. All hardware for securing wall pad to wall shall be by others. Driving end of actuator shall be connected to horizontal extension tubes on No. 220 backstop with a vertical 1-7/8" O.D. spreader tube. Vertical spreader tube shall be cut in field to match spacing between horizontal extension tubes on No. 220 backstop.

The system shall be operated with a special dual-keyed, flush wall-mounted momentary key switch which cannot be instantly reversed. Switch assembly shall be furnished with a 4-1/2" square stainless steel cover plate for mounting in a masonry wall box by the electrical contractor.

The system may be operated with optional control systems as shown below, in lieu of the standard wall-mounted key switch. Specify type of optional control as required:

- Sportsonic® II Radio Control System
- Sportsonic® II Dual-Mode Radio Control / Key Switch System
- Powr-Touch® Key Pad Control System
- Powr-Touch® II Key Pad Control System

Wiring of all electrical components shall be in accordance with local area codes, and in accordance with manufacturer's instructions. All conduit, wiring, junction boxes and components not specified herein shall be furnished and installed by the electrical contractor.