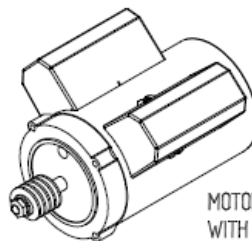


Installation Instructions

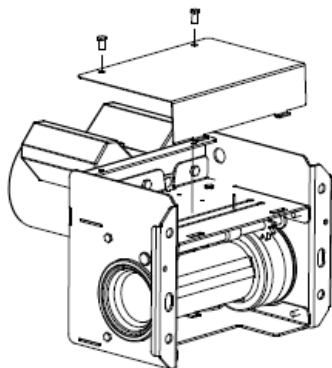
709KIT01 Motor Replacement Kit

Motor Replacement Kit:

56CL Motor
3 Start Motor Worm
Motor Washer
1/2"-20 NF Jam Nut
1/2" Lock Washer
8-16 x 3/4 Hex Head Bolt x 4

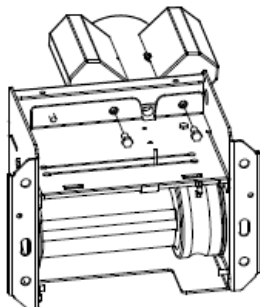


MOTOR COMES PRE-ASSEMBLED
WITH MOTOR WORM

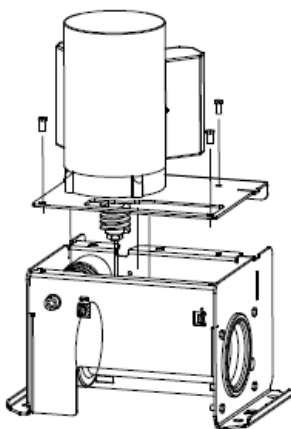


Replacement Process:

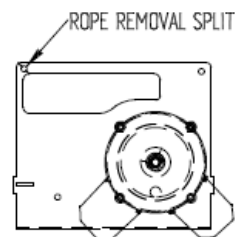
1 - Remove the two bolts and limit cover. Cut the zip ties holding the wire bundles together.



2 - Remove the two bolts holding the motor under the limit cover. Unplug the three wires coming from the motor, one to each limit switch (red and blue) and one to the hot line (white wire).



3 - Remove the three bolts holding the motor plate down. If the motor is being replaced while still installed and the wire rope is going through the window on the motor plate, there is a split in the corner for the wire to pass through.

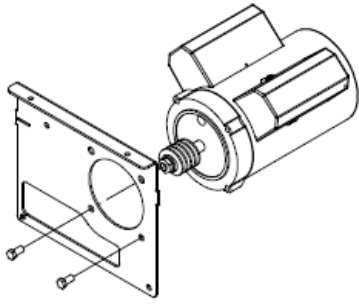


If you encounter any difficulties installing or servicing your 709 Backstop Winch, call your dealer or Porter 1-888-277-7779

PORTER

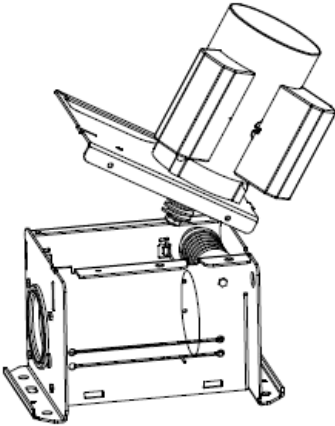
601 Mercury Drive
Champaign, IL 61822-9648
USA (800) 637-3090

INST709KIT01

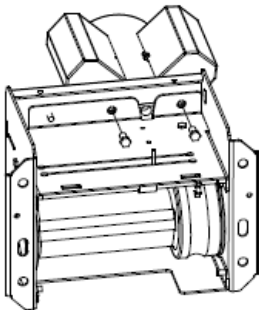


4 - Remove the two remaining bolts holding the motor to the plate.

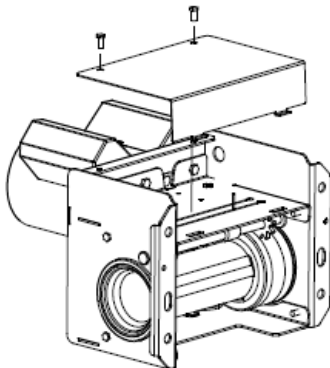
5 - Use two new motor bolts in the same two holes to attach the new motor on the plate.



6 - Orient the winch as shown. Place one tab of the motor plate and rotate it down into position as shown. This may take a few tries to get the motor wire in the notch and for the teeth to mesh properly. Re-attach the three bolts.



7 - Connect the new motor wires; red wire to the upper limit switch, blue wire to the lower limit switch and the white wire to the other white wire. Use two new motor bolts to attach the motor under the limit cover.



8 - Use zip ties to hold the wires together again. The winch must be installed in place and the limits reset before you use the two bolts to attach the limit cover.