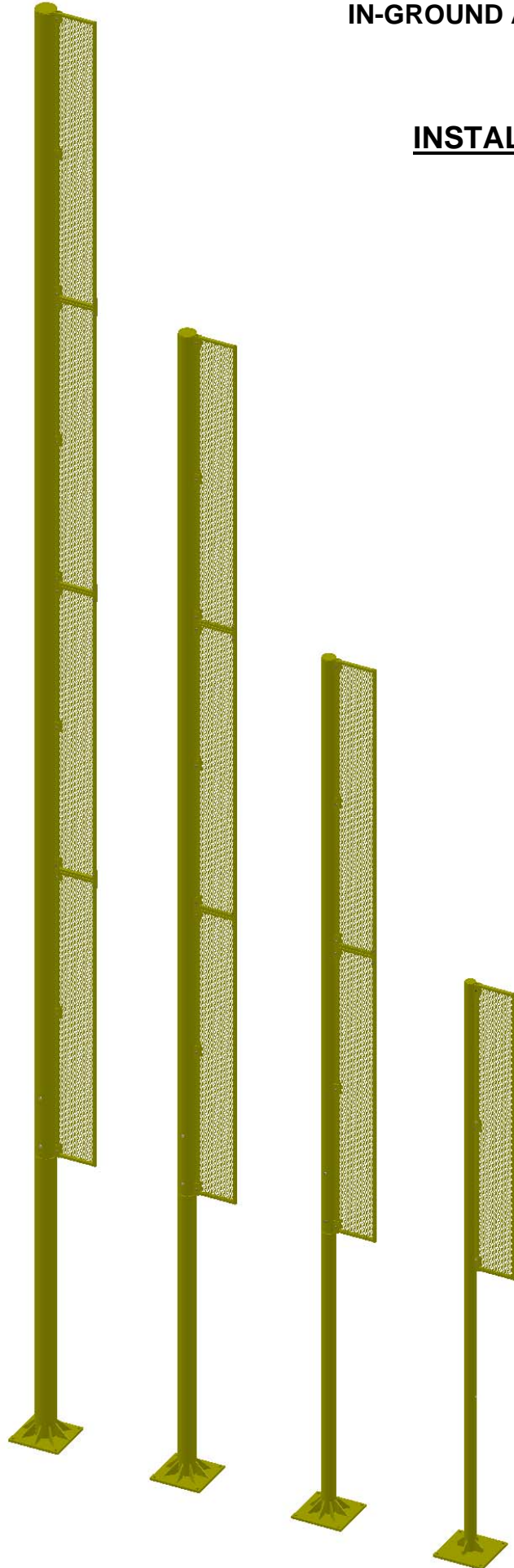


**INSTALLATION INTRUCTIONS**





www.gillathletics.com  
800-637-3090

## BASEBALL FOUL POLES IN-GROUND AND SURFACE MOUNTED

### Installation Instructions

1. Check all items against parts list to ensure all parts have been included (see pages 6,7,8,9).
2. Locate and drill holes for concrete footings. See **Details A** and **B** for critical information regarding footing size and location, optional outdoor ground sleeves, and orientation of pole sections.

### For In-Ground Mounted Foul Poles

3. Support lower pole section in hole, with top of lower pole section located 8'-0" above playing surface. See **Detail B** for proper orientation of pole.
4. Fill hole with concrete. slope top of footing slightly for proper drainage. See **Detail A**.
5. Allow concrete to set a MINIMUM of 24 hours before proceeding.
6. Proceed to Step 11.

### For Surface Mounted Foul Poles

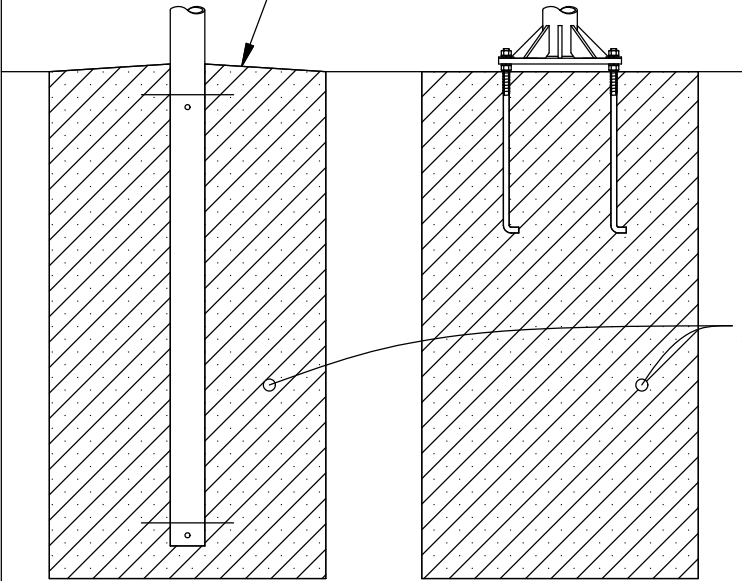
7. Assemble anchor bolts and hardware to wood anchor bolt installation template. See **Detail C**.
8. Fill hole with concrete and install the anchor bolt/template assembly from Step 7 into the concrete. Top of four anchor bolts must be at least 3" above playing surface. See **Detail C**.
9. Allow concrete to set a MINIMUM of 24 hours before proceeding.
10. Install lower pole section onto anchor bolts. See **Detail C** for important dimensions and locations of all anchor bolt hardware.

### All Foul Poles With Wing Panels

11. Assemble upper pole section as shown in **Details D, E, and F**.
12. Assemble wing panels to upper poles section. See **Details D, E, and F**.
13. Secure wing panels to each other with splice plates (one at each connection). See **Details D, E, and F** (Skip Step 13 for 16' Foul Poles with one wing panel).

### Detail A

Slope top of footing slightly for proper drainage.



Footing details shown are for **In-Ground** or **Surface-Mount** installations. If using Baseball Foul Poles with optional **Outdoor Ground Sleeves**, follow the installation instructions that are included with the outdoor ground sleeve.

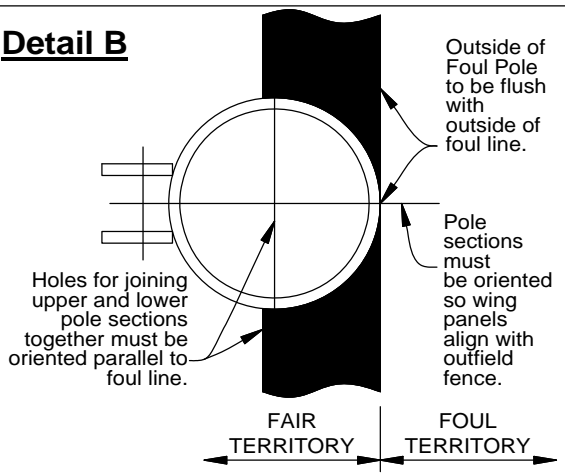
MINIMUM CONCRETE FOOTING SIZE:  
3'-0"Ø x 6'-6" DEEP

Minimum recommended footing size shown. Increase size of footing as required according to local soil conditions, and to meet local building codes regarding minimum wind speeds.

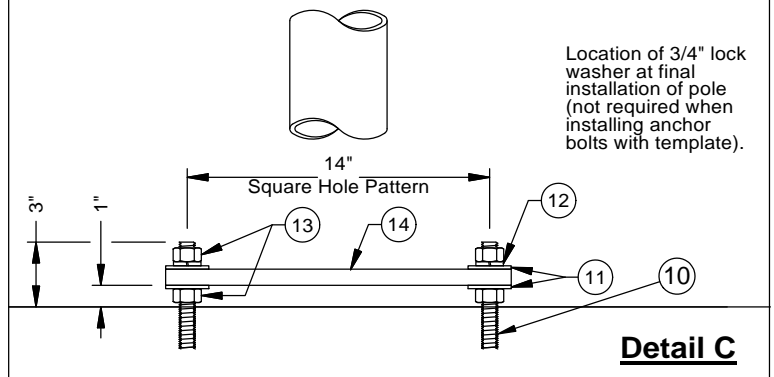
**In-Ground  
Installation**

**Surface-Mount  
Installation**

### Detail B



### No. 333116, 333124, 333132, 333140 INSTALLATION OF ANCHOR BOLTS



Location of 3/4" lock washer at final installation of pole (not required when installing anchor bolts with template).

**Detail C**

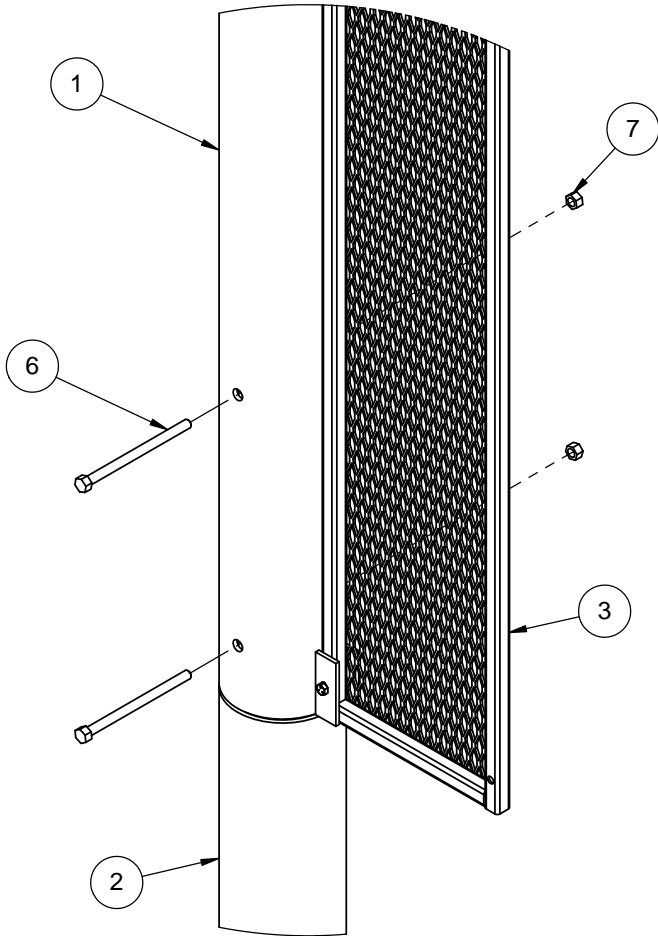
For Ground Sleeve installation refer to page 5



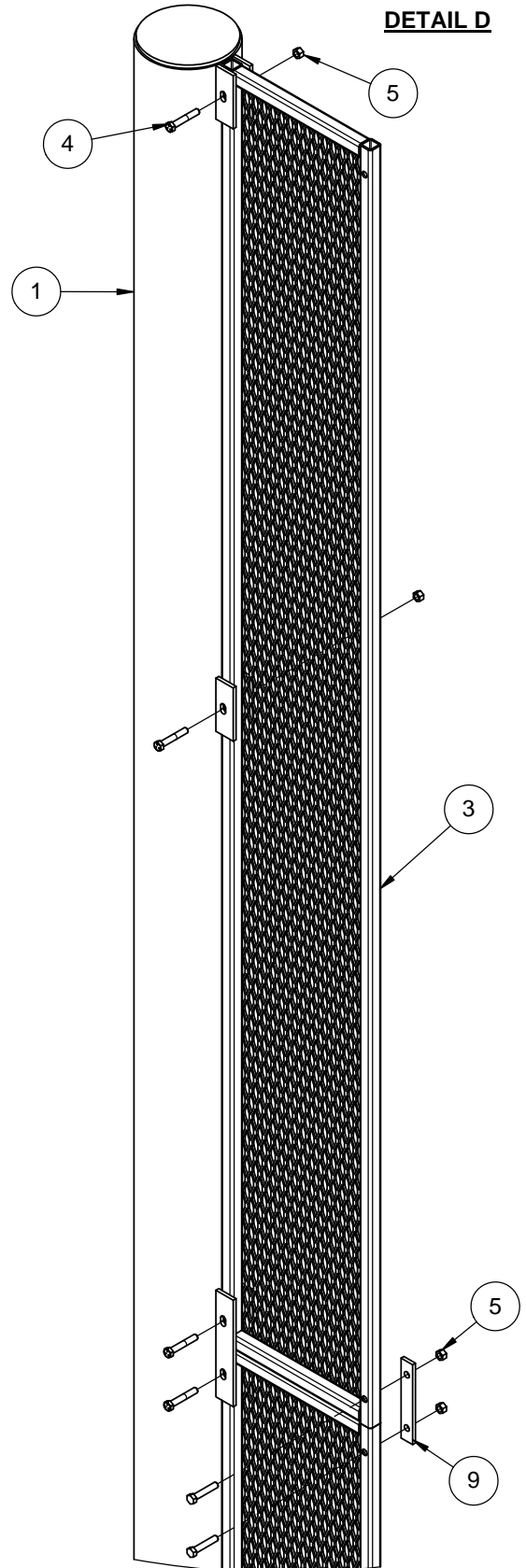
www.gillathletics.com  
800-637-3090

# BASEBALL FOUL POLES IN-GROUND AND SURFACE MOUNTED

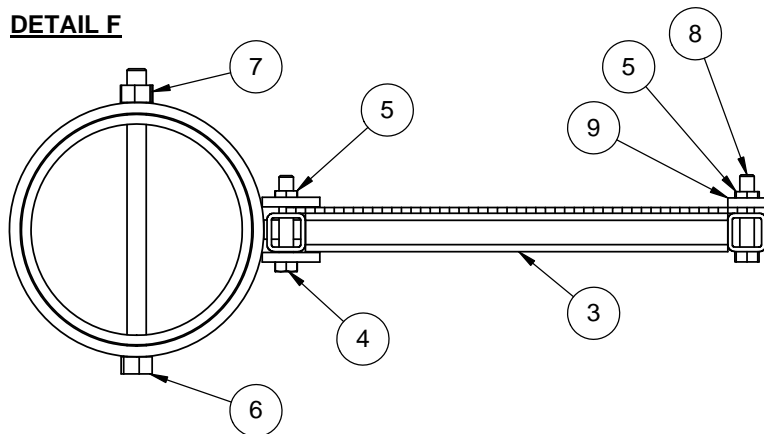
**DETAIL E**



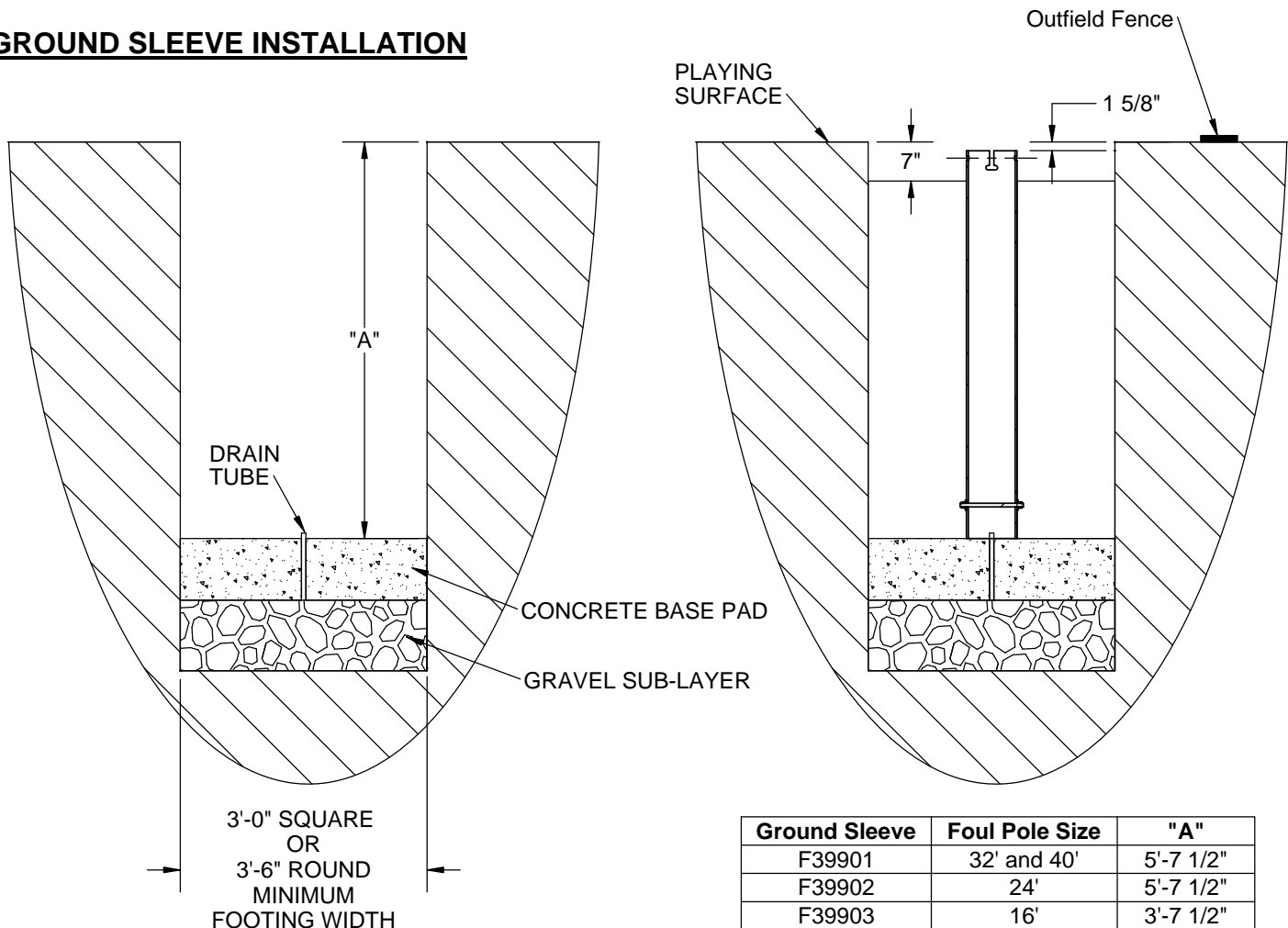
**DETAIL D**



**DETAIL F**



### GROUND SLEEVE INSTALLATION



1. Locate the center of the footing (see **Detail B** on page 3).
2. **CAUTION** - Before digging, check for locations of buried power cables, drain tiles water lines, etc.
3. Dig hole to accommodate the purchased ground sleeve. Note, a 3'-0" square or a 3'-6" in diameter x 6'-6" deep footing is recommended under normal soil conditions. Depth of footing will vary depending on which ground sleeve will be installed (see table above to help determine depth of footing).
4. At the bottom of the hole, pour a concrete base pad on a layer of packed gravel. Dimension of the top of the base pad to the playing surface "A" is crucial. Refer to illustration and table shown above. Note that it may be desirable in certain high-moisture soil conditions to provide a drainage tube through the concrete base pad into a sublayer of gravel for proper drainage.
5. Secure threaded rod to bottom of ground sleeve using locknuts (Hardware is supplied with ground sleeve). The deep slots on the upper end of the ground sleeve must be located parallel to the outfield fence (perpendicular to the foul line).
6. After the concrete base pad has hardened, place the ground sleeve in the exact location for the second pour. Secure sleeve in place and fill hole to within 7" of the playing surface. Allow concrete to set up a minimum of 48 hours before installing fol pole.



www.gillathletics.com  
800-637-3090

**BASEBALL FOUL POLES  
IN-GROUND AND SURFACE MOUNTED**

**333140 SURFACE MOUNTED 40' FOUL POLE**

	<b>PART #</b>	<b>DESCRIPTION</b>	<b>QTY</b>
1	POLE3330402	40' TOP POLE	2
2	POLE3331401	40' SURFACE MOUNT BOTTOM POLE	2
3	PANL0000113966	FOUL POLE WING PANEL	8
4	HDWE012070E0	3/8"-16 X 2-1/4" HEX HEAD CAP SCREW	24
5	HDWE030720E0	Convex Locknut - 3/8-16 Allmetal Grade C	36
6	HDWE012820E0	1/2"-13 X 7-1/2" HEX HEAD CAP SCREW	4
7	HDWE030730E0	1/2" AllMetal Convex Locknut	4
8	HDWE012060E0	Hex Bolt 3/8-16 x 2	12
9	PLTE00332006	SPLICE PLATE 1/4" X 1" X 6"	12
10	M2765	3/4" ANCHOR BOLT	8
11	HDWE050060E0	3/4" FLAT WASHER	16
12	HDWE040070E0	3/4" LOCK WASHER	8
13	HDWE030140E0	3/4" HEX NUT	16
14	WOOD00119000	ANCHOR BOLT TEMPLATE	1

**333040 GROUND SLEEVED\* 40' FOUL POLE**

	<b>PART #</b>	<b>DESCRIPTION</b>	<b>QTY</b>
1	POLE3330402	40' TOP POLE	2
2	POLE3330401	40' GROUND SLEEVE BOTTOM POLE	2
3	PANL0000113966	FOUL POLE WING PANEL	8
4	HDWE012070E0	3/8"-16 X 2-1/4" HEX HEAD CAP SCREW	24
5	HDWE030720E0	Convex Locknut - 3/8-16 Allmetal Grade C	36
6	HDWE012820E0	1/2"-13 X 7-1/2" HEX HEAD CAP SCREW	4
7	HDWE030730E0	1/2" AllMetal Convex Locknut	4
8	HDWE012060E0	Hex Bolt 3/8-16 x 2	12
9	PLTE00332006	SPLICE PLATE 1/4" X 1" X 6"	6
11	hole	Assembly Template - Litania	1

\* 40' GROUND SLEEVED FOUL POLE USES PART NO . F39901 GROUND SLEEVE



www.gillathletics.com  
800-637-3090

## BASEBALL FOUL POLES IN-GROUND AND SURFACE MOUNTED

### 333132 SURFACE MOUNTED 32' FOUL POLE

	PART #	DESCRIPTION	QTY
1	POLE3330322	32' TOP POLE	2
2	POLE3331321	32' SURFACE MOUNT BOTTOM POLE	2
3	PANL0000113966	FOUL POLE WING PANEL	6
4	HDWE012070E0	3/8"-16 X 2-1/4" HEX HEAD CAP SCREW	18
5	HDWE030720E0	Convex Locknut - 3/8-16 Allmetal Grade C	26
6	HDWE011770E0	1/2"-13 X 6-1/2" HEX HEAD CAP SCREW	4
7	HDWE030730E0	1/2" AllMetal Convex Locknut	4
8	HDWE012060E0	Hex Bolt 3/8-16 x 2	8
9	PLTE00332006	SPLICE PLATE 1/4" X 1" X 6"	4
10	M2765	3/4" ANCHOR BOLT	8
11	HDWE050060E0	3/4" FLAT WASHER	16
12	HDWE040070E0	3/4" LOCK WASHER	8
13	HDWE030140E0	3/4" HEX NUT	16
14	WOOD00119000	ANCHOR BOLT TEMPLATE	1

### 333032 GROUND SLEEVED\* 32' FOUL POLE

	PART #	DESCRIPTION	QTY
1	POLE3330322	32' TOP POLE	2
2	POLE3330321	32' GROUND SLEEVE BOTTOM POLE	2
3	PANL0000113966	FOUL POLE WING PANEL	6
4	HDWE012070E0	3/8"-16 X 2-1/4" HEX HEAD CAP SCREW	18
5	HDWE030720E0	Convex Locknut - 3/8-16 Allmetal Grade C	26
6	HDWE011840E0	1/2"-13 X 6-1/2" HEX HEAD CAP SCREW	4
7	HDWE030730E0	1/2" AllMetal Convex Locknut	4
8	HDWE012060E0	Hex Bolt 3/8-16 x 2	8
9	PLTE00332006	SPLICE PLATE 1/4" X 1" X 6"	4

\* 32' GROUND SLEEVED FOUL POLE USES PART NO . F39901 GROUND SLEEVE



www.gillathletics.com  
800-637-3090

**BASEBALL FOUL POLES  
IN-GROUND AND SURFACE MOUNTED**

**333124 SURFACE MOUNTED 24' FOUL POLE**

	<b>PART #</b>	<b>DESCRIPTION</b>	<b>QTY</b>
1	POLE3330242	24' TOP POLE	2
2	POLE3331242	24' SURFACE MOUNT BOTTOM POLE	2
3	PANL0000113966	FOUL POLE WING PANEL	4
4	HDWE012070E0	3/8"-16 X 2-1/4" HEX HEAD CAP SCREW	12
5	HDWE030720E0	Convex Locknut - 3/8-16 Allmetal Grade C	18
6	HDWE011810E0	1/2"-13 X 5-1/2" HEX HEAD CAP SCREW	4
7	HDWE030730E0	1/2" AllMetal Convex Locknut	4
8	HDWE012060E0	Hex Bolt 3/8-16 x 2	4
9	PLTE00332006	SPLICE PLATE 1/4" X 1" X 6"	2
10	M2765	3/4" ANCHOR BOLT	8
11	HDWE050060E0	3/4" FLAT WASHER	16
12	HDWE040070E0	3/4" LOCK WASHER	8
13	HDWE030140E0	3/4" HEX NUT	16
14	WOOD00119000	ANCHOR BOLT TEMPLATE	1

**333024 GROUND SLEEVED\* 24' FOUL POLE**

	<b>PART #</b>	<b>DESCRIPTION</b>	<b>QTY</b>
1	POLE3330242	24' TOP POLE	2
2	POLE3330241	24' GROUND SLEEVE BOTTOM POLE	2
3	PANL0000113966	FOUL POLE WING PANEL	4
4	HDWE012070E0	3/8"-16 X 2-1/4" HEX HEAD CAP SCREW	12
5	HDWE030720E0	Convex Locknut - 3/8-16 Allmetal Grade C	16
6	HDWE011810E0	1/2"-13 X 5-1/2" HEX HEAD CAP SCREW	4
7	HDWE030730E0	1/2" AllMetal Convex Locknut	4
8	HDWE012060E0	Hex Bolt 3/8-16 x 2	4
9	PLTE00332006	SPLICE PLATE 1/4" X 1" X 6"	2

\* 24' GROUND SLEEVED FOUL POLE USES PART NO . F39902 GROUND SLEEVE





www.gillathletics.com  
800-637-3090

**BASEBALL FOUL POLES  
IN-GROUND AND SURFACE MOUNTED**

**333116 SURFACE MOUNTED 24' FOUL POLE**

	<b>PART #</b>	<b>DESCRIPTION</b>	<b>QTY</b>
1	POLE00069006	16' SURFACE MOUNT FOUL POLE	2
3	PANL0000113966	FOUL POLE WING PANEL	2
4	HDWE012070E0	3/8"-16 X 2-1/4" HEX HEAD CAP SCREW	6
5	HDWE030720E0	Convex Locknut - 3/8-16 Allmetal Grade C	6
10	M2765	3/4" ANCHOR BOLT	8
11	HDWE050060E0	3/4" FLAT WASHER	16
12	HDWE040070E0	3/4" LOCK WASHER	8
13	HDWE030140E0	3/4" HEX NUT	16
14	WOOD00119000	ANCHOR BOLT TEMPLATE	1

**333016 GROUND SLEEVED\* 16' FOUL POLE**

	<b>PART #</b>	<b>DESCRIPTION</b>	<b>QTY</b>
1	POLE00068006	16' GROUND SLEEVE FOUL POLE	2
3	PANL0000113966	FOUL POLE WING PANEL	2
4	HDWE012070E0	3/8"-16 X 2-1/4" HEX HEAD CAP SCREW	6
5	HDWE030720E0	Convex Locknut - 3/8-16 Allmetal Grade C	6

\* 16' GROUND SLEEVED FOUL POLE USES PART NO . F39903 GROUND SLEEVE