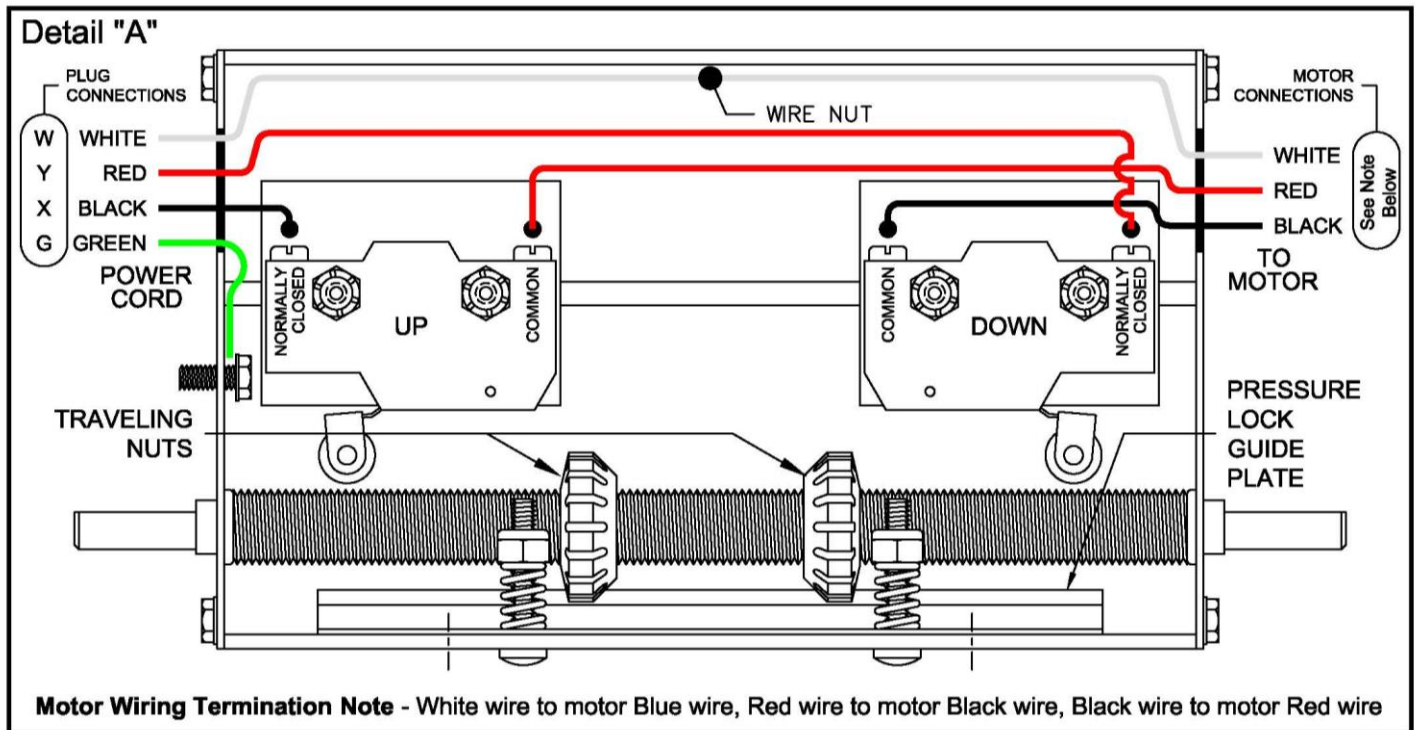


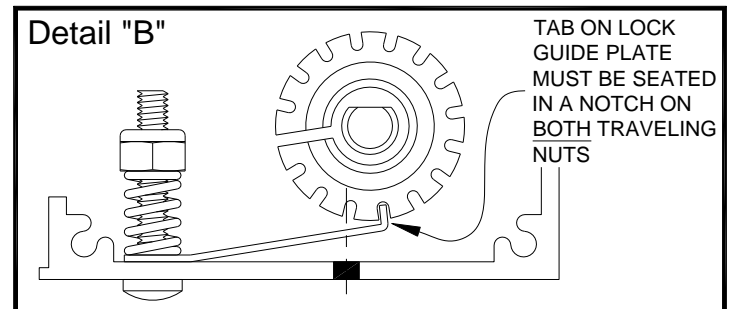
## ADJUSTMENT INSTRUCTIONS

# ROTARY COUNTING LIMIT SWITCH

### For 0080600 and 0081200 Backstop Winch



1. Check to ensure that cable is wrapped on winch drum in proper direction per the winch instructions. See Page 2 of the Electric Winch Installation instructions.
2. Check to ensure there are a minimum of three wraps of cable on the winch drum.
3. Check to ensure that cable length is allowed for optional cable retractor reel or flex-cord as used on forward-fold units, such as model numbers 517, 617, 917 and 1417 backstops.
4. Check to ensure that the hardware that secures the micro switches in the box is fully tightened. **IT WILL NOT BE POSSIBLE TO MOVE THESE SWITCHES** – all adjustments will be made by moving the traveling nuts left or right, as in Steps No. 5 and 7.
5. Depress the pressure lock guide plate down (use fingers only – use no tools) and turn the right-hand traveling nut until the "DOWN" limit switch engages (listen for the click) – See Detail "A". Check to ensure that the tab on the pressure lock guide plate engages a notch in the traveling nut – See Detail "B".
6. Using the "UP" key in the key switch (or using a field test cord), raise the backstop to the desired storage position. **IMPORTANT NOTE** – Allow a MINIMUM of 8" clearance to any overhead structure, ceiling, lights, or other equipment.
7. Depress the pressure lock guide plate once again (use fingers only – use no tools) and turn the left-hand traveling nut until the "UP" limit switch engages (listen for the click) – See Detail "A". Check to ensure that a notch in both traveling nuts is seated firmly on the tab on the pressure lock guide plate – See Detail "B".



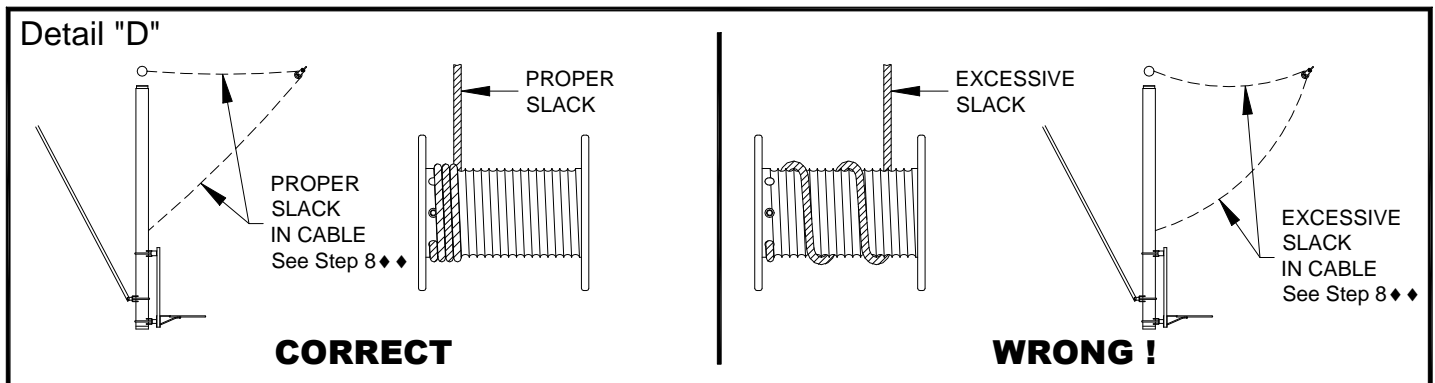
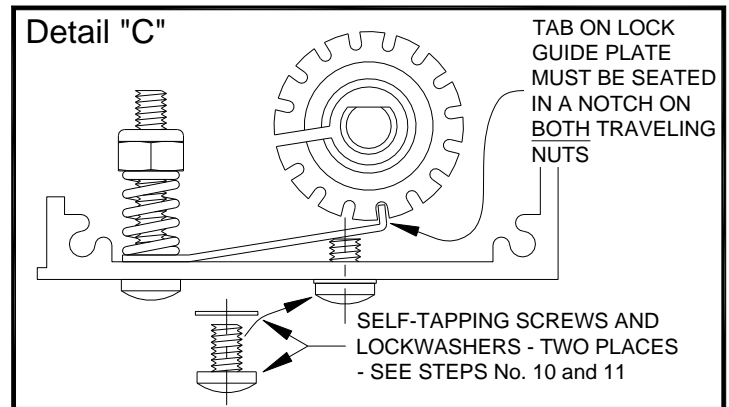
8. Operate the unit up and down several times, to adjust and fine-tune both the up and down limits, until the limits are set correctly.
  - ◆◆ See Detail "D". A *SLIGHT* amount of slack in the hoist cable is mandatory when the backstop is in the down position. However, an excessive amount of slack will allow the cable to wrap incorrectly on the drum. To properly set cable slack, allow a two-second delay (count 1001, 1002) after the backstop fully seats in the playing position, before the down limit switch shuts the down cycle off.
9. After all adjustments are made, once again check to ensure that both traveling nuts are seated properly on the tab of the pressure lock guide plate – See Detail "B".

10. Install two #8 x 1/4" lg. self-tapping screws and lockwashers into two holes in bottom of limit switch box. These will prevent any future movement of the pressure lock guide plate, prohibiting it from disengaging from the traveling nuts. See Detail "C". Operate unit through one complete up-down cycle to double-check setting.

11. **IMPORTANT NOTE** – If future adjustments are required, loosen the two #8 x 1/4" lg. self-tapping screws installed in step No. 10 above, to allow the pressure lock guide plate to be depressed. Be sure to re-tighten both screws securely after all adjustments are made. See Detail "C".

12. It is critical that both the upper and lower limits be set carefully. The upper limit will prevent the unit from contacting the overhead structure. The lower limit is as critical, and must be set to allow proper slack in the cable ◆◆. By allowing too much slack, the cable can "uncoil" around the drum, thereby rewinding with uneven wraps and "exceeding" the upper limit by having additional wraps on the drum. See Detail "D".

13. Operate each backstop through **THREE COMPLETE UP-DOWN CYCLES**, to ensure the cable has seated properly on the winch drum. Afterwards, make additional adjustments to the limit switches as required, according to the instructions in Step No. 11 above.



Demonstrate the operation of this unit to an individual at the site who is responsible for the safe operation and maintenance of this equipment. Hand this instruction sheet to that individual, to keep for future reference. Point out the safety concerns and the necessity of using a Porter key switch in the event that same has not been installed.

**porter**

Porter Athletic, Inc.

601 Mercury Drive, Champaign, IL U.S.A., 61822

www.porterathletic.com

(888) 277-7778

**SAVE THESE INSTRUCTIONS FOR FUTURE USE**