

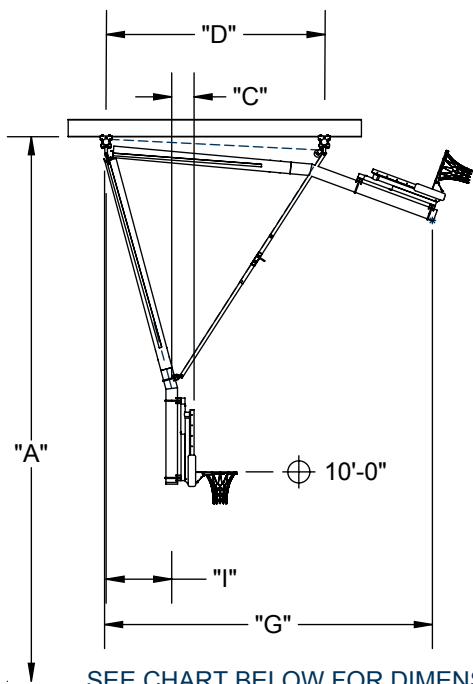
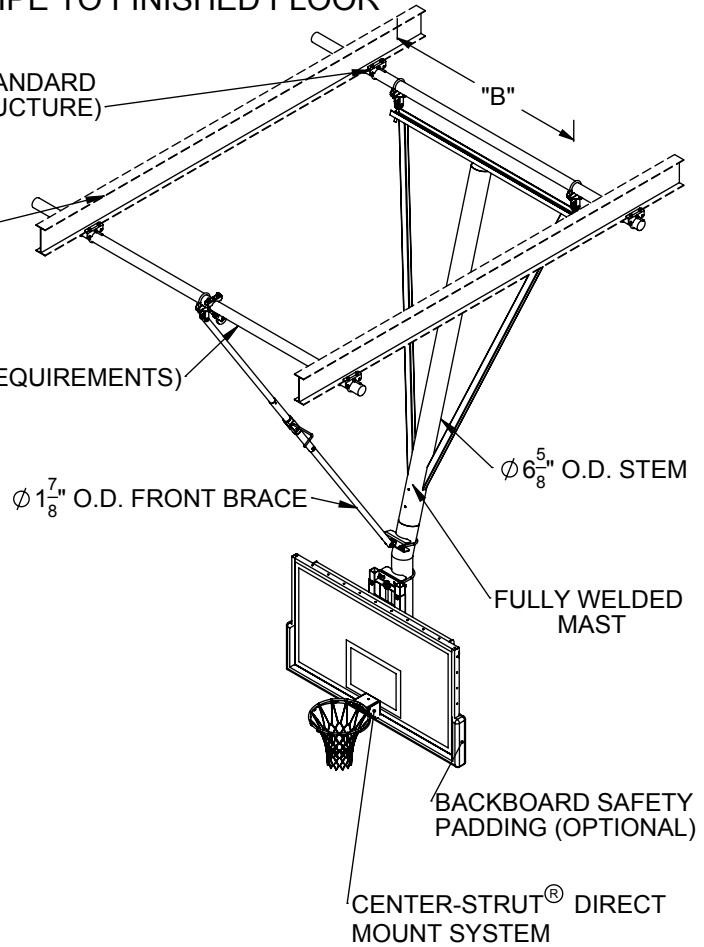
# 90950000 - FORWARD FOLD BACKSTOP

CEILING SUSPENDED, FORWARD FOLD, FRONT BRACED UNIT  
20' TO 28'  $\phi$  OF MAST PIPE TO FINISHED FLOOR

PRECISION DIE-FORMED SUPPORT FITTING STANDARD  
(MAY VARY BASED ON GYMNASIUM SUPERSTRUCTURE)

GYMNASIUM SUPERSTRUCTURE  
(SHOWN FOR REPRESENTATION  
PURPOSES ONLY, MAY VARY)

$\phi 3\frac{1}{2}$ " O.D. PIPE STANDARD  
(SUPERSTRUCTURE ENGINEERED PER BUILDING REQUIREMENTS)



SEE CHART BELOW FOR DIMENSIONS

"A" BOTTOM OF STRUCTURE ABOVE FINISHED FLOOR	"B" MAST CENTERS	"C" FACE OF BACKBOARD TO $\phi$ MAST	"D" FRONT BRACE DIMENSION (WITHIN 6" $\pm$ )	"G" HORIZONTAL FOLD DIMENSION	"I" $\phi$ OF MAST TO MAST HANGER
20' 0" to 21'-0"	5'-6"	SEE "C" DIMENSION CHART	5'-3"	11'-6"	1'-9"
21' 0-1/8" to 22'-0"	5'-6"		6'-3"	12'-6"	2'-0"
22' 0-1/8" to 23'-0"	6'-0"		7'-3"	13'-6"	2'-3"
23' 0-1/8" to 24'-0"	6'-0"		8'-3"	14'-6"	2'-6"
24' 0-1/8" to 25'-0"	6'-6"		9'-3"	15'-6"	2'-9"
25' 0-1/8" to 26'-0"	6'-6"		10'-4"	16'-6"	3'-0"
26' 0-1/8" to 27'-0"	7'-0"		11'-4"	17'-6"	3'-3"
27' 0-1/8" to 28'-0"	7'-0"		12'-4"	18'-6"	3'-6"

"C" DIMENSION CHART- FACE OF BACKBOARD TO CENTERLINE OF MAST			
BACKBOARD MODEL NUMBER	DESCRIPTION	WITHOUT HEIGHT ADJUSTER	WITH HEIGHT ADJUSTER
208	RECTANGULAR GLASS	10-1/8"	12-11/16"
216	RECTANGULAR FIBERGLASS	9-7/8"	12-7/16"
234A	FAN ALUMINUM	9-5/16"	11-7/8"
267A	FAN FIBERGLASS	9-1/4"	11-13/16"

\_\_\_\_\_ - 90950000 CEILING SUSPENDED, FORWARD FOLD, FRONT BRACED UNIT

\_\_\_\_\_ - BACKBOARD SELECTION

\_\_\_\_\_ - GOAL SELECTION

\_\_\_\_\_ - PADDING SELECTION

PROJECT NUMBER \_\_\_\_\_  
PROJECT NAME \_\_\_\_\_

# 90950000 - FORWARD FOLD BACKSTOP

CEILING SUSPENDED, FORWARD FOLD, FRONT BRACED UNIT  
20' TO 28'  $\varnothing$  OF MAST PIPE TO FINISHED FLOOR

## SPECIFICATIONS

Basketball backstop shall consist of a main center mast of 6-5/8" O.D. heavy-wall structural steel tube with diagonal side sway braces of 2-1/2" x 1-1/2" rectangular steel tubing. Ends of diagonal brace tubes shall be fully welded to main mast. The 6-5/8" O.D. main stem of the drop frame shall be suspended diagonally from the superstructure with a 15° angle and a 4'-6" long vertical member for attachment of a backboard. Top horizontal mast member to be of a heavy 4" structural channel to support adjustable suspension hangers. Mast shall be fully welded and suspended by adjustable hangers (2) to provide for precise plumbing of frame during installation. The 15° camber of the main drop frame will properly weight lock unit in the playing position.

Goal shall mount directly through backboard and into a heavy structural steel Center-Strut® weldment which shall be clamped to the vertical 6-5/8" O.D. center support to eliminate any strain on backboard should a player hang on the front mounted goal (conforms to the NCAA latest rules). All fittings shall be attached to the 6-5/8" O.D. vertical drop tube by heavy 1/4" thick precision saddle die-cut formed steel fittings secured in place by 5/8" diameter 'U'-Bolt type hardware.

Backstop to operate with a 1-7/8" O.D. front brace assembly with a folding knee joint. Knee joint to incorporate an internal torsion spring design to lock brace assembly firmly in playing position. Hoist cable shall automatically disengage brace knee joint during the hoist cycle through a three-pulley system.

Backstop shall be supported from pipe anchored to roof framing members by precision die formed support fittings or custom attachments as required. All cap screws shall be rated a minimum SAE Grade 5. Grade 2 cap screws will not be approved as equal. Bridged pipes may be required when spans exceed 14'.

All metal parts shall be powder coated. See swatch card SMPL00048037 for standard color options. (contact Porter for custom color requests)

Backstop provided with specified backboard and goal (see B-200 for options).

See winch specifications for more information on included Porter winch system and control options. (manual- see B-700, electric- see B-701)

### WARRANTY

- No. 900 Center-Strut® series backstop structure comes with a 25 year limited warranty.
- Limited Lifetime warranty on all Porter backboards when used in conjunction with the No. 900 Center-Strut® series backstop.
- Other components may be covered by their own warranty (see corresponding specifications for more details).

### OPTIONAL ITEMS (SEE SPECIFICATION SHEETS FOR DETAIL)

- Backboard safety padding (see B-200)
- Height Adjuster (8' to 10' adjustable goal height) (see chart below)
- Saf-Strap (No. 10797100)

### CENTER-STRUT® HEIGHT ADJUSTER

- For Manual Operation, See Page No.: B-900-506 (Rectangular Boards) B-900-211 (Fan Boards)
- For Key Switch Operation, See Page No.: B-901-506 (Rectangular Boards) B-901-211 (Fan Boards)
- For Powr-Stick Operation, See Page No.: B-902-506 (Rectangular Boards) B-902-211 (Fan Boards)
- For Sportsonic® II Operation, See Page No.: B-903-506 (Rectangular Boards) B-903-211 (Fan Boards)
- For Powr-Touch Operation, See Page No.: B-904-506 (Rectangular Boards) B-904-211 (Fan Boards)

### LEED® SUBMITTAL INFORMATION

Credit	Measure
MRC4-Recycled Content	Post Consumer Average 25.0% Post Industrial 0%
MRC5-Regional Materials	Raw materials originate from multiple sources so origin point cannot be determined. Final Manufacturing/Assembly in Champaign, IL 61822

### CERTIFICATIONS

- Certified by the NCAA and NFHS