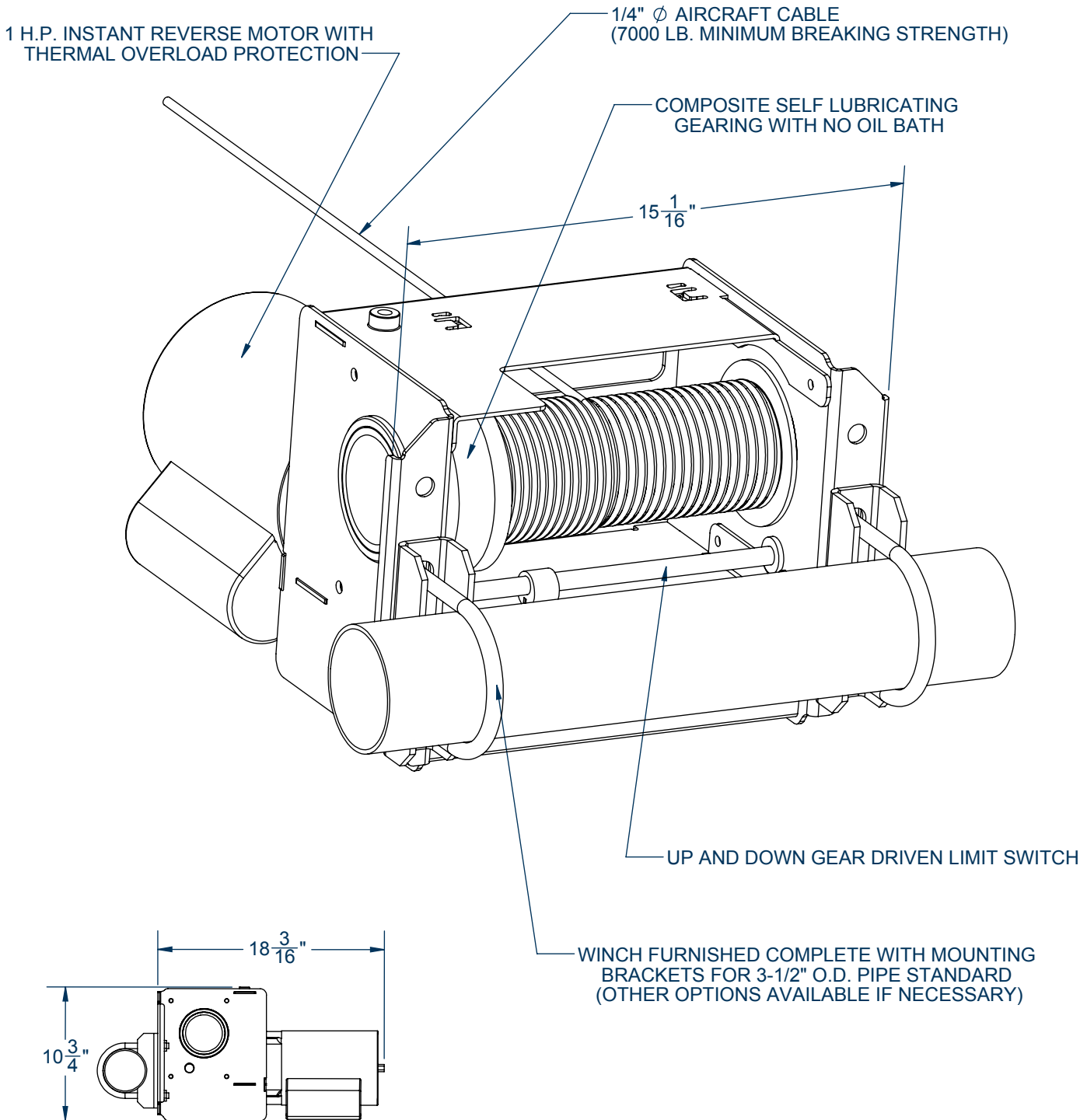


00709000 - BACKSTOP WINCH



- _____ - NO. 791- KEY SWITCH CONTROL (SEE E-791)
- _____ - NO. 2002- SPORTSONIC® II RADIO CONTROL SYSTEM (SEE E-2002)
- _____ - NO. 2002- SPORTSONIC® II RADIO CONTROL SYSTEM / KEY SWITCH SYSTEM (SEE E-2002-5)
- _____ - NO. 2550- POWR-TOUCH® 2.5 KEY PAD CONTROL SYSTEM (SEE E-2550)
- _____ - NO. 2600- POWR-TOUCH® LCD ELECTRONIC TOUCHPAD CONTROL SYSTEM (SEE E-2600)

00709000 - BACKSTOP WINCH

SPECIFICATIONS

PORTER NO. 00709000 1 H.P. ELECTRIC BACKSTOP WINCH

Winch shall be designed to hold backstop at any position when raising or lowering equipment. Direct drive system eliminates need for belts or chains. Direct drive consists of a double worm gear reduction system. Gear shall be made of self lubricating composite material eliminating the need for oil. Gear shall contain an automatic drive pinion brake and inherent self locking in the 2-stage worm drive to assure fast and positive locking. The cable drum shall be grooved and fitted with a spring-loaded tensioning pressure roller to ensure neat and consistent cable tracking even under slack rope conditions. Winch contains 3 line exit ports to provide greater freedom in backstop layout. Line speed shall be 12 feet per minute. Designed to lift a 1800 lb. backstop assembly or 1000 lb. vertical load.

Winch to be operated by means of a 1 H.P., (10 Amp) capacitor type, 60 cycle, 110 volt, single phase, instantly reversing motor with automatic thermal overload protection. Motor shall utilize 3 wire control system with automatic reset overload protector.

Drum shall be mechanically interconnected to a rotary counting Up-Down limit switch assembly which shall be pre-wired to the motor. A 3:1 speed-increasing drive system shall amplify the travel of the limit switch to increase precision and reliability.

Winch frame shall be E-coated steel. Exposed inner components shall be plated for enhanced corrosion protection.

Wiring of all electrical components shall be in accordance with local area codes, and in accordance with manufacturer's instructions. All conduit, wiring, junction boxes and components not specified herein shall be furnished and installed by the electrical contractor.

Winch Control Systems:

- Key switch control (provided as standard, unless optional control system is specified)
- Sportsonic[®] II Radio Control System
- Sportsonic[®] II Radio Control / Key switch system
- Powr-Touch[®] 2.5 Key Pad Control System
- Powr-Touch[®] LCD Electronic Touchpad Control System

Optional Accessories

- Audible Motion Alarm-12005100 (see E-2005)