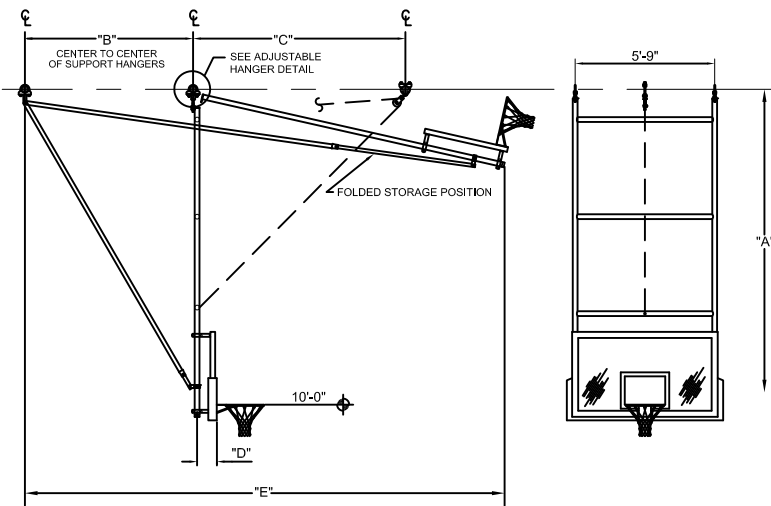
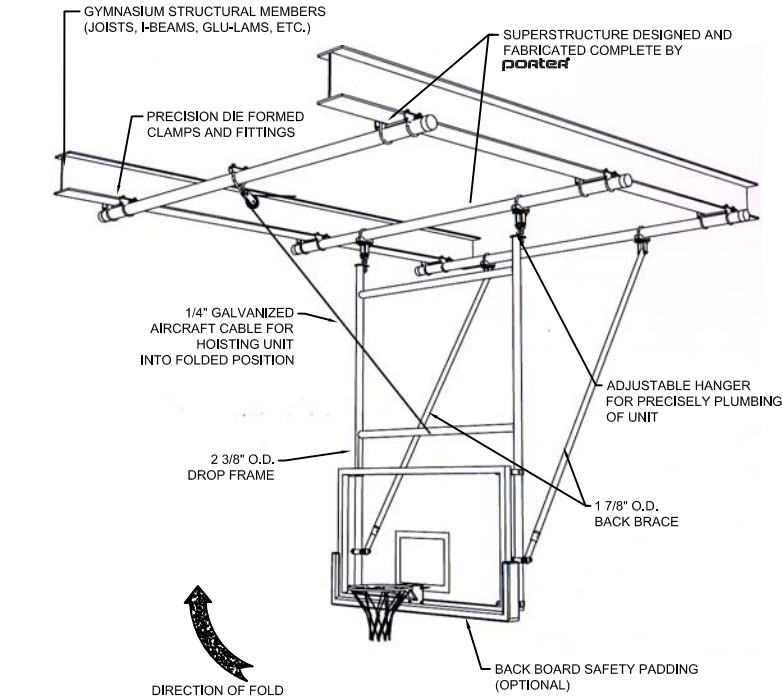


90617-000 - FORWARD FOLD BACKSTOP

CEILING SUSPENDED, FORWARD FOLD, REAR BRACED UNIT
18' TO 25' ϕ OF MAST PIPE TO FINISHED FLOOR

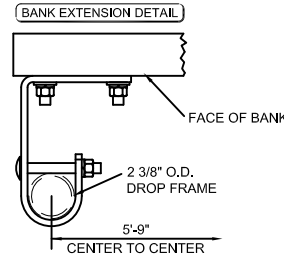
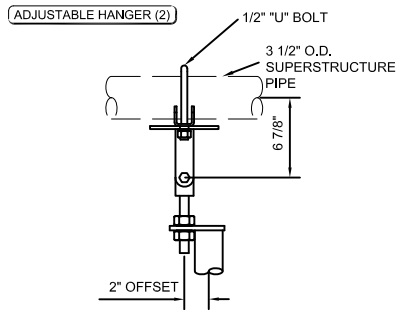


"A" ATTACHMENT HEIGHT	* "B" BACKBRACE DIMENSION	"C" PULLEY DIMENSION (WITHIN 6" \pm)	"D" FACE OF BACKBOARD TO ϕ MAST HANGER	"E" HORIZONTAL FOLD DIMENSION
18' 0-1/8" to 19'-0"	4'-3"	4'-0"	SEE	8'-6"
19' 0-1/8" to 20'-0"	4'-11"	5'-0"		9'-6"
20' 0-1/8" to 21'-0"	5'-5"	6'-0"	"D" DIMENSION CHART	10'-6"
21' 0-1/8" to 22'-0"	6'-0"	7'-0"		11'-6"
22' 0-1/8" to 23'-0"	6'-7"	8'-0"		12'-6"
23' 0-1/8" to 24'-0"	7'-2"	9'-0"		13'-6"
24' 0-1/8" to 25'-0"	7'-9"	10'-0"		14'-6"

* SUBTRACT AN ADDITIONAL 2" WHEN UNIT HAS HEIGHT ADJUSTER OPTION

GENERAL NOTES
(SEE LEFT SIDE FOR COMPLETE PRODUCT SPECIFICATION)

- SUPERSTRUCTURE SUPPLIED FOR EXISTING BUILDING CONDITIONS.
- BACKSTOP SHALL BE SUPPORTED FROM 3-1/2" O.D. PIPE AND SECURED TO BEAMS WITH PRECISION DIE FORMED SUPPORT FITTINGS.
- SPECIAL ATTACHMENT MEMBERS TO COMPLY WITH BUILDING DESIGN, LOCATED BY PORTER, DESIGNED BY ARCHITECT AND INSTALLED BY CONTRACTOR TO ELIMINATE EXPOSED PIPE BELOW CEILING.
- "CLEAR-VU" ASSEMBLY WHICH CONSISTS OF 2-3/8" O.D. DROP PIPES AND 2-3/8" O.D. SPREADER PIPES IS WELDED INTO ONE RIGID UNIT.
- MINIMUM DISTANCE FACE OF BANK TO WALL = "B" + 1'-6"
- MANUAL OPERATION STANDARD ELECTRIC OPERATION AVAILABLE WITH REMOVE CONTROL KEY SWITCH.
- "B" DIMENSION VARIES WITH BUILDING CONDITIONS AND SUPERSTRUCTURE HEIGHT, FOR DIMENSION CHART, SEE BELOW.
- FOR CABLE ATTACHMENT TO "CLEAR-VU" MAST ASSEMBLY THREAD CABLE THROUGH HOLE IN SPREADER LOCATED APPROX. 13.5" ABOVE FINISHED FLOOR AND FASTEN TWO CABLE CLAMPS TO SECURE CABLE TO SPREADER.



- OPTIONAL FEATURES**
- GOAL HEIGHT ADJUSTMENT - WILL RAISE AND LOWER GOAL HEIGHT FROM 8'-0" TO 10'-0" ABOVE FINISHED FLOOR, SEE PAGE B-600-506 FOR DETAILS.
 - SAF-STRAP - RECOMMENDED ON UNITS LOCATED OVER BLEACHER AREAS. AUTOMATIC INERTIA TYPE MECHANISM WILL LOCK BACKSTOP IN POSITION SHOULD FAILURE OCCUR. SEE PAGE B-10797 FOR DETAILS AND SPECIFICATIONS. SPECIFY No. 10797-100.
 - RETRACTOR REEL - RETRACTS HOIST CABLE AND SAF-STRAP FROM PLAY AREA. SPECIFY No. 10798-000.
 - ELECTRIC OPERATION - SEE LEFT SIDE AND PAGE B-706 FOR DETAILS AND SPECIFICATIONS. SPECIFY No. 00706-000 ELECTRIC WINCH.
 - BACKBOARD SAFETY PADDING - BACKBOARD PADDING RECOMMENDED FOR FACILITIES WHERE PLAYERS' ABILITY MAY ALLOW THEM TO CONTACT BACKBOARD. (SPECIFY PADDING AS REQUIRED.)



BACKBOARD MODEL No.	WITHOUT HEIGHT ADJUSTER	WITH HEIGHT ADJUSTER
208	N/A	12 3/16"
204	8 1/4"	N/A
206	8 1/4"	10 5/8"

RECTANGULAR BACKBOARDS AVAILABLE WITH OFFICIAL 2" THICK BOTTOM EDGE PADDING - SPECIFY IF REQUIRED

- 90617-000 FORWARD FOLD, REAR-BRACED BACKSTOP



PROJECT NUMBER

PROJECT NAME

90617-000 - FORWARD FOLD BACKSTOP

CEILING SUSPENDED, FORWARD FOLD, REAR BRACED UNIT
18' TO 25' \varnothing OF MAST PIPE TO FINISHED FLOOR

SPECIFICATIONS

PORTER No. 617 "UNI-FRAME" FORWARD-FOLD BACKSTOP WITH "CLEAR-VU" FEATURE (FOR ATTACHMENT HEIGHTS FROM 18' to 25')

Vertical front drop frame assembly "Uni-Frame" shall consist of 2-3/8" O.D. drop pipes spaced on 5'-9" centers to "Hide" behind the vertical perimeter markings on the (optional) rectangular glass backboard. Frame shall be horizontally braced above the backboard by 2-3/8" OD. spreaders spaced on approximately 4'-0" centers. Both ends of horizontal spreaders shall be saddle (die) cut to fit the outside diameter of the 2-3/8" OD. drop pipes. Each connection of vertical and horizontal pipes shall be welded to form "Uni-Frame" type construction for maximum strength and resistance to vibration. (Drop frames with flattened or pinch cut type connections will not be approved as equal.) On installations exceeding 25' attachment heights - specify 90617-W. Special formed steel backboard attachment fittings shall provide the official N.C.A.A. and NFHS regulation of 6" (15.24cm) from the front of the "Uni-Frame" to the face of the backboard. "Uni-Frame" shall be suspended by special adjustable hangers to provide for precise plumbing of frame during installation. Support hangers shall be offset 2" behind centerline of "Uni-Frame" to properly weight lock unit in playing position without the use of ropes, latches or springs.

Double back brace assemblies shall consist of heavy-wall 1-7/8" O.D. pipe, with internal telescoping tube arrangement to facilitate raising of backstop to overhead storage position. Braces shall be provided with adjustable collars to precisely plumb face of backboard during installation.

Backstop shall be supported from 3-1/2" O.D. pipe anchored to roof framing members by means of heavy, formed steel support fittings. Each support fitting (supplied by the backstop manufacturer) to the roof framing, must be capable of supporting a load exceeding 10,000 pounds, with sufficient attachment points to acquire a 60:1 safety factor for support of the entire backstop superstructure system. Certified test results shall be furnished upon request. All cap screws shall be rated a minimum SAE Grade 5. Grade 2 cap screws will not be approved as equal. Superstructure pipes to be reinforced with special bridging or bracing when truss centers exceed spans of 14'-0".

Backstop shall be provided as standard with heavy duty, fully enclosed worm gear type winch, designed to hold unit at any position when raising or lowering backstop. (Electrically operated units optional - See page No. B-706-1.) Hoist cable shall be 1/4" diameter galvanized aircraft cable with 7,000 lb. ultimate breaking strength. Swivel pulley shall be furnished with a 4" diameter cast (ductile iron) pulley sheave with a maintenance free, oil-impregnated bearing for proper hoist cable routing to winch. Pulley assembly and attachment to 3-1/2" O.D. support structure shall be rated at a minimum 9,000 pound load rating. Certified test results shall be furnished upon request.

All metal parts shall be painted one (1) coat of flat black enamel. (If special painting or colors are required, specify final painting by painting contractor).

Backstop available with any Porter rectangular shaped backboard – specify.

OPTIONAL CENTER-STRUT® HEIGHT ADJUSTMENT UNIT

For Manual Operation, See Page No.: B-600-506
For Key Switch Operation, See Page No.: B-601-506
For Powr-Stick Operation, See Page No.: B-602-506
For Sportsonic® II Operation, See Page No.: B-603-506
For POWR-Touch® Operation, See Page No.: B-604-506

OPTIONAL ITEMS TO SPECIFY

- Electric Operation – See Page No. B-706-1.
- Backboard Safety Padding
- No. 10797-100 Safety Strap (Recommended on units located over bleachers).
- No. 10798-000 Retractor Reel or No. 91000/92000 Flex-Cords.

ISSUED MAY 18, 2017, SUBJECT TO CURRENT MANUFACTURING PROCEDURES AND CHANGES

COPYRIGHT 2017 - PORTER ATHLETIC - ALL RIGHTS RESERVED

PORTER@PORTERATHLETIC.COM

WWW.PORTERATHLETIC.COM/FACILITY
PORTER

BASKETBALL SPECIFICATION SHEET

B-617

5/18/2017