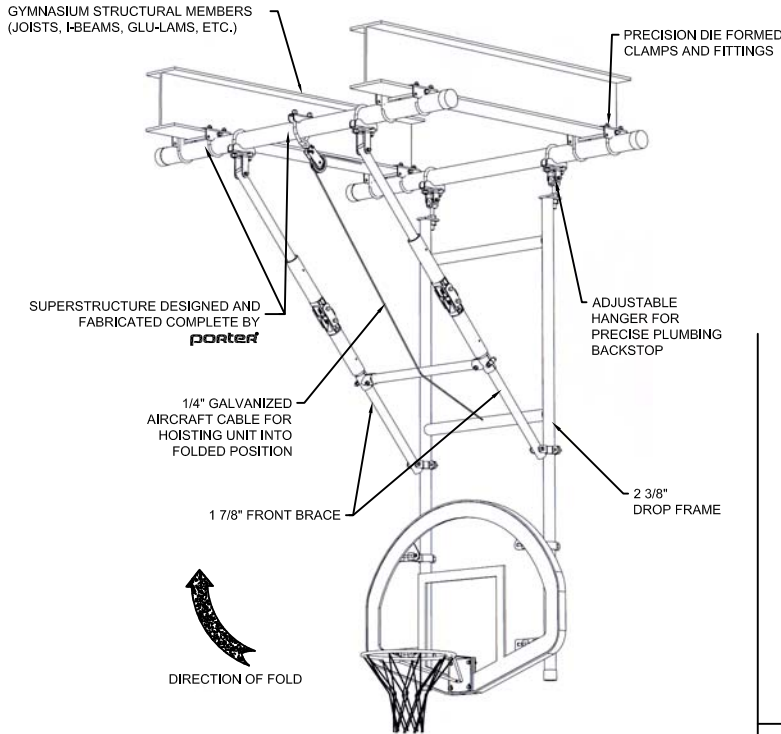


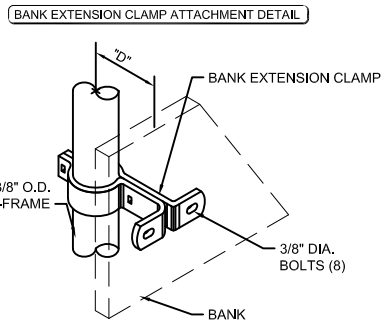
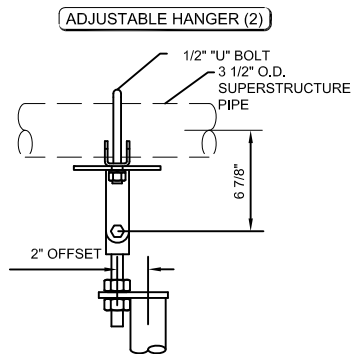
# 90549000 - FORWARD FOLD BACKSTOP

CEILING SUSPENDED, FORWARD FOLD  
UP TO 25'  $\phi$  OF MAST PIPE TO FINISHED FLOOR

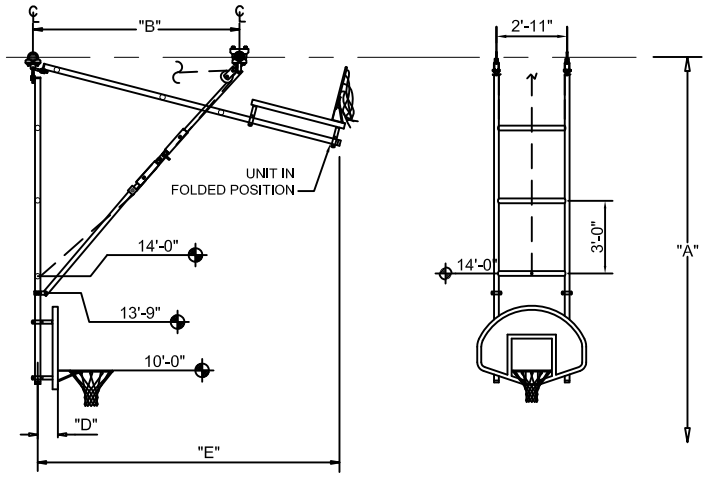


**GENERAL NOTES**  
(SEE LEFT SIDE FOR COMPLETE PRODUCT SPECIFICATION)

- SUPERSTRUCTURE SUPPLIED FOR EXISTING BUILDING CONDITIONS.
- BACKSTOP SHALL BE SUPPORTED FROM 3 1/2" O.D. PIPE AND SECURED TO BEAMS WITH PRECISION DIE FORMED SUPPORT FITTINGS.
- SPECIAL ATTACHMENT MEMBERS TO COMPLY WITH BUILDING DESIGN, LOCATED BY PORTER, DESIGNED BY ARCHITECT AND INSTALLED BY CONTRACTOR TO ELIMINATE EXPOSED PIPE BELOW CEILING.
- "UNI-FRAME" ASSEMBLY WHICH CONSISTS OF 2 3/8" O.D. DROP PIPES AND 2 3/8" O.D. SPREADER PIPES IS WELDED INTO ONE RIGID UNIT
- MINIMUM DISTANCE FACE OF BANK TO WALL = 1'-6"
- MANUAL OPERATION STANDARD, ELECTRIC OPERATION AVAILABLE WITH ELECTRIC WINCH AND EITHER KEY SWITCH, SPORTSONIC II, OR KEY PAD CONTROL.



- (OPTIONAL FEATURES)**
- GOAL HEIGHT ADJUSTMENT - WILL RAISE AND LOWER GOAL HEIGHT FROM 8'-0" TO 10'-0" ABOVE FINISHED FLOOR. SEE PAGE B-500-506 FOR DETAILS.
  - SAF-STRAP - RECOMMENDED ON UNITS LOCATED OVER BLEACHER AREAS, AUTOMATIC INERTIA TYPE MECHANISM WILL LOCK BACKSTOP IN POSITION SHOULD FAILURE OCCUR. SEE PAGE B-10797 FOR DETAILS AND SPECIFICATIONS. SPECIFY No. 10797-100.
  - ELECTRIC OPERATION - SEE LEFT SIDE AND PAGE B-706 FOR DETAILS AND SPECIFICATIONS. SPECIFY No. 00706-000 ELECTRIC WINCH.



"A" ATTACHMENT HEIGHT	* "B" FRONT BRACE DIMENSION (WITHIN 6 $\pm$ )	"D" FACE OF BACKBOARD TO $\phi$ OF MAST	"E" HORIZONTAL FOLD DIMENSION
18' 0-1/8" to 19'-0"	4'-0"	SEE "D" DIMENSION CHART	8'-3"
19' 0-1/8" to 20'-0"	5'-0"		9'-3"
20' 0-1/8" to 21'-0"	6'-0"		10'-3"
21' 0-1/8" to 22'-0"	7'-0"		11'-3"
22' 0-1/8" to 23'-0"	8'-0"		12'-3"
23' 0-1/8" to 24'-0"	9'-0"		13'-3"
24' 0-1/8" to 25'-0"	10'-0"		14'-3"

\*SUBTRACT AN ADDITIONAL 2" WHEN UNIT HAS HEIGHT ADJUSTER OPTION

DIMENSIONAL

**"D" DIMENSION CHART - FACE OF BACKBOARD TO CENTERLINE OF MAST HANGER PIVOT POINT**

BACKBOARD MODEL No.	WITHOUT HEIGHT ADJUSTER	WITH HEIGHT ADJUSTER
205	8 1/4"	11 1/8"
234	7 3/16"	10 5/16"
234A	7 3/16"	10 5/16"
267	7 3/16"	N/A
267A	N/A	10 5/16"

RECTANGULAR BACKBOARDS AVAILABLE WITH OFFICIAL 2" THICK BOTTOM EDGE PADDING - SPECIFY IF REQUIRED

- 90549-000 FORWARD FOLD CEILING SUSPENDED BACKSTOP



PROJECT NUMBER \_\_\_\_\_

PROJECT NAME \_\_\_\_\_

# 90549000 - FORWARD FOLD BACKSTOP

CEILING SUSPENDED, FORWARD FOLD  
UP TO 25'  $\varnothing$  OF MAST PIPE TO FINISHED FLOOR

## SPECIFICATIONS

### PORTER No. 549 "UNI-FRAME" CEILING-SUSPENDED FORWARD-FOLD BACKSTOP (FOR ATTACHMENT HEIGHTS UP TO 25')

Vertical front drop frame assembly "Uni-Frame" shall consist of 2-3/8" O.D. drop pipes spaced on 2-11" centers, horizontally braced with 2-3/8" O.D. spreader pipes welded on centers not to exceed 3'-0". Both ends of horizontal spreaders shall be saddle (die) cut to fit the outside diameter of the 2-3/8" O.D. drop pipes. Each connection of vertical and horizontal pipes shall be welded to form "Uni-Frame" type construction for maximum strength and resistance to vibration. (Drop frames with flattened or pinch cut type connections will not be approved as equal.) On installations exceeding 25' attachment heights - specify 90549-W.

"Uni-Frame" shall be suspended by special adjustable hangers to provide for precise plumbing of frame during installation. Support hangers shall be offset 2" behind center line of "Uni-Frame" to properly weight lock unit in playing position without the use of ropes, latches or springs.

Backstop to operate with double 1-7/8" O.D. front brace assemblies with a folding knee joint. Knee joint to incorporate precision investment castings with a special internal torsion spring design to lock brace assembly firmly in playing position. Knee joint assembly shall be designed with an in-line pivot design to maximize backstop stability during aggressive play. Knee joint is easily disengaged by upward force of hoist cable on 1-7/8" O.D. spreader pipe connecting the two front brace assemblies near the knee joints.

Backstop shall be supported from 3-1/2" O.D. pipe anchored to roof framing members by means of heavy, formed steel support fittings. Each support fitting (supplied by the backstop manufacturer) to the roof framing, must be capable of supporting a load exceeding 10,000 pounds, with sufficient attachment points to acquire a 60:1 safety factor for support of the entire backstop superstructure system. Certified test results shall be furnished upon request. All cap screws shall be rated a minimum SAE Grade 5. Grade 2 cap screws will not be approved as equal. Superstructure pipes to be reinforced with special bridging or bracing when truss centers exceed spans of 14'-0".

Backstop shall be provided as standard with heavy duty, fully enclosed worm gear type winch, designed to hold unit at any position when raising or lowering backstop. (Electrically operated units optional - See page No. B-706-1.) Hoist cable shall be 1/4" diameter galvanized aircraft cable with 7,000 lb. ultimate breaking strength. Swivel pulley shall be furnished with a 4" diameter cast (ductile iron) pulley sheave with a maintenance free, oil-impregnated bearing for proper hoist cable routing to winch. Pulley assembly and attachment to 3-1/2" O.D. support structure shall be rated at a minimum 9,000 pound load rating. Certified test results shall be furnished upon request.

All metal parts shall be painted one (1) coat of flat black enamel. (If special painting or colors are required, specify final painting by painting contractor.)

Backstop available with fan shaped backboard only – specify.

Note - Due to the forward brace configuration, the No. 549 backstop is not recommended for competition court use.

#### OPTIONAL CENTER-STRUT® HEIGHT ADJUSTMENT UNIT

For Manual Operation, See Page No.: B-500-211  
For Key Switch Operation, See Page No.: B-501-211  
For Powr-Stick Operation, See Page No.: B-502-211  
For Sportsonic® II Operation, See Page No.: B-503-211

#### OPTIONAL ITEMS TO SPECIFY

- Electric Operation – See Page No. B-706-1.
- No. 10797-100 Safety Strap (Recommended on units located over bleachers).

ISSUED JULY 21, 2017, SUBJECT TO CURRENT MANUFACTURING PROCEDURES AND CHANGES  
COPYRIGHT 2017 - PORTER ATHLETIC - ALL RIGHTS RESERVED  
PORTER@PORTERATHLETIC.COM

PORTER  
WWW.PORTERATHLETIC.COM/FACILITY

BASKETBALL SPECIFICATION SHEET

B-549

7/21/2017